



## Industrial Chassis

Embedded Chassis for 3.5" SBC

Desktop Chassis for Mini-ITX

Wallmount Chassis for microATX

AGS-TECH Inc

Phone: +1-505-550-6501 and +1-505-565-5102

Fax: +1-505-814-5778

Email: [sales@agstech.net](mailto:sales@agstech.net)

Web: <http://www.agstech.net>



**DFI**<sup>®</sup>

Revision Control • Long Product Life Cycle





# ES520



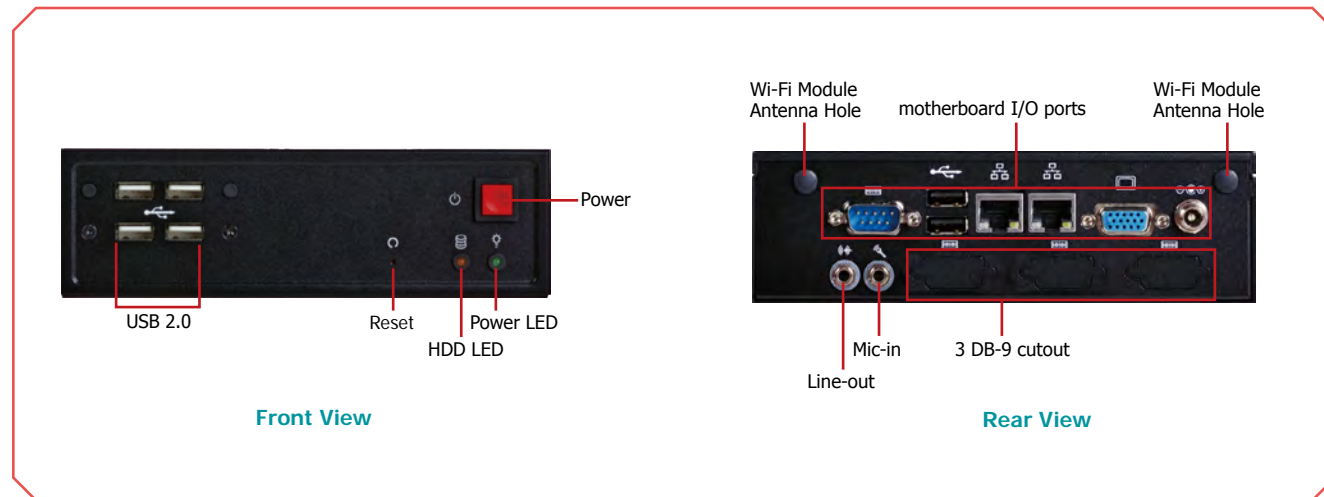
**3.5" SBC**

### Features

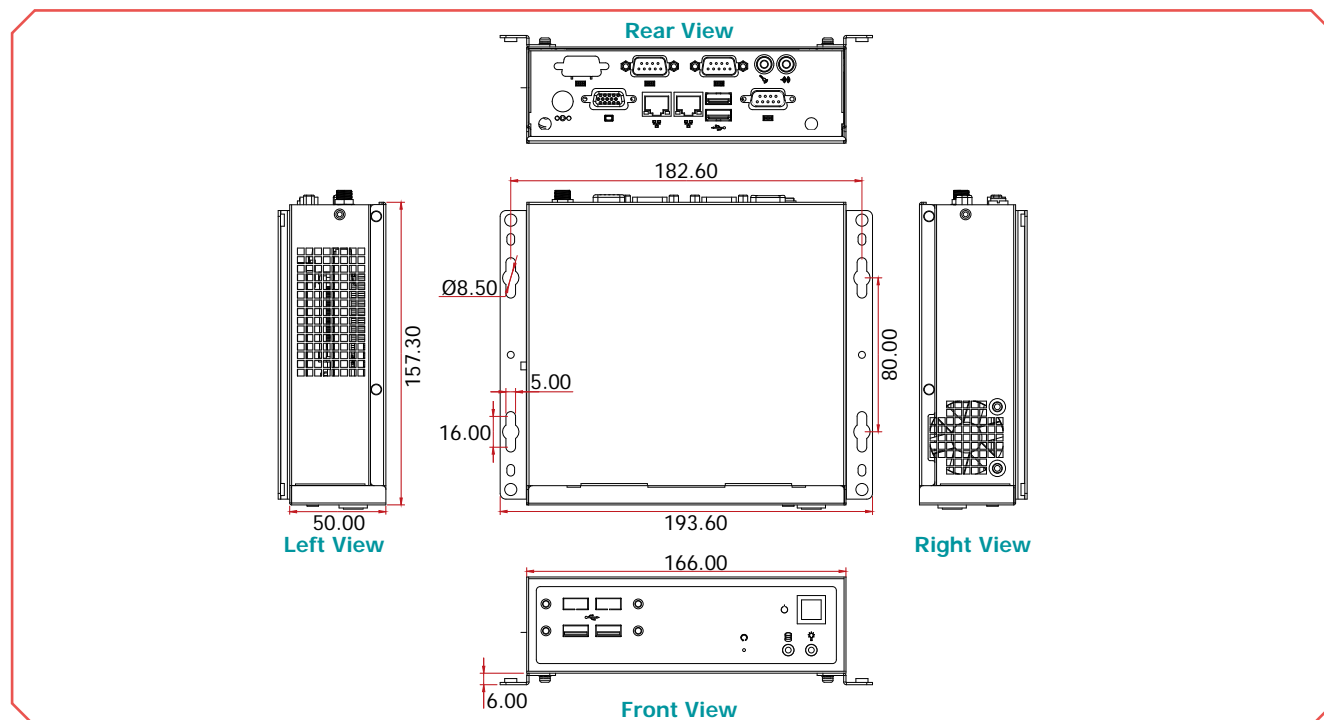
- Designed to accommodate any 3.5" SBCs
- 4 or 2 USB ports at the front panel (optional)
- 1 2.5" SATA drive bay



### Panel



### Dimensions



# ES520

### Specifications

#### STORAGE

- 1 2.5" SATA drive bay

#### I/O

- Front Panel
  - 4 or 2 USB 2.0 (optional)
  - 1 HDD LED
  - 1 Power LED
  - 1 Power button
  - 1 Reset button
- Rear Panel
  - 3 DB-9 cutout
  - 1 Mic-in
  - 1 Line-out

#### COOLING SYSTEM

- 1 system fan

#### ENVIRONMENT

- Temperature
  - Storage: -10°C ~ 60°C
- Humidity
  - Operating: 0% to 85% non-condensing

#### CONSTRUCTION

- Sheet metal

#### MOUNTING

- Wall mount
  - brackets and screws (optional)

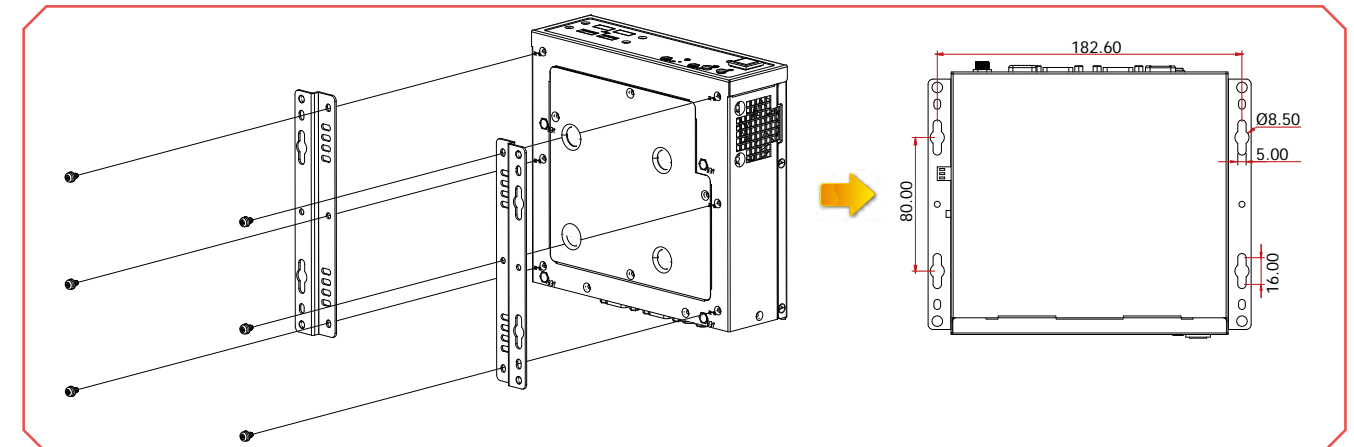
#### DIMENSIONS

- 166mm x 50mm x 157.3mm (W x H x D)

### Optional Items

| Optional Items | PN              | Description                |
|----------------|-----------------|----------------------------|
| Wall Mount     | 761-ES5200-000G | ES520 Wall mount kit, RoHS |

### Wall Mounting



Designed to accommodate any 3.5" SBCs

- Fully compatible with DFI's 3.5" SBCs



# DT122



Mini-ITX

### Features

- Designed to accommodate any Mini-ITX board
- Supports one expansion slot
- Up to 2 2.5" or 1 3.5" SATA drive bay
- 1 optical drive bay (optional)

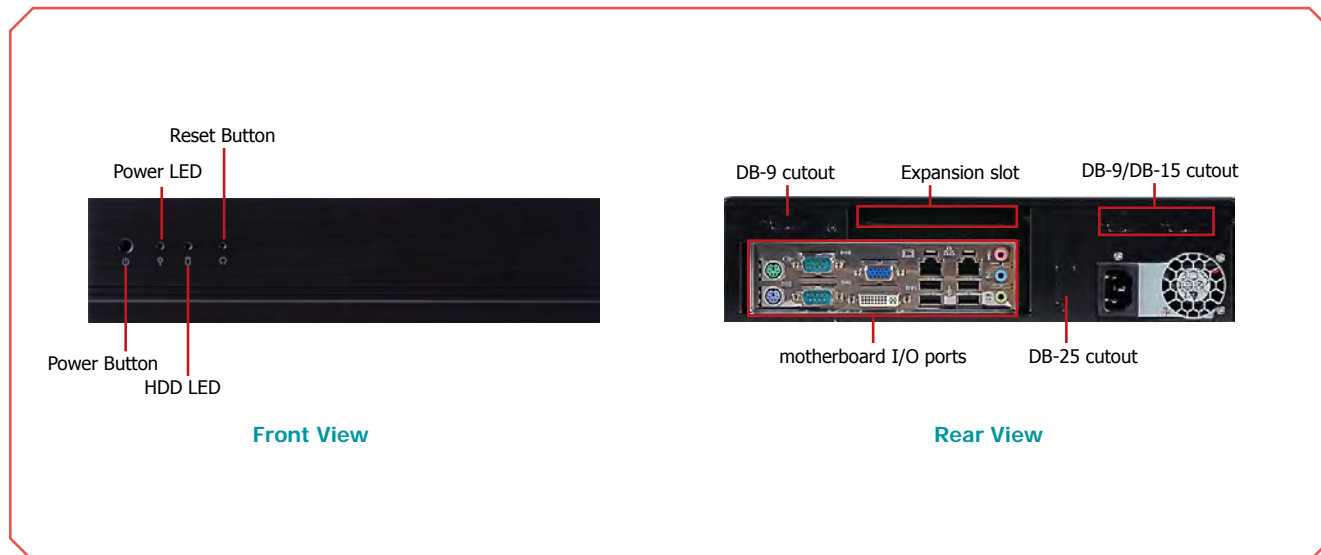
Available models supporting 3rd/2nd Gen Intel® Core™:

- DT122-CR: QM77
- DT122-SB: Q67
- DT122-HR: QM67

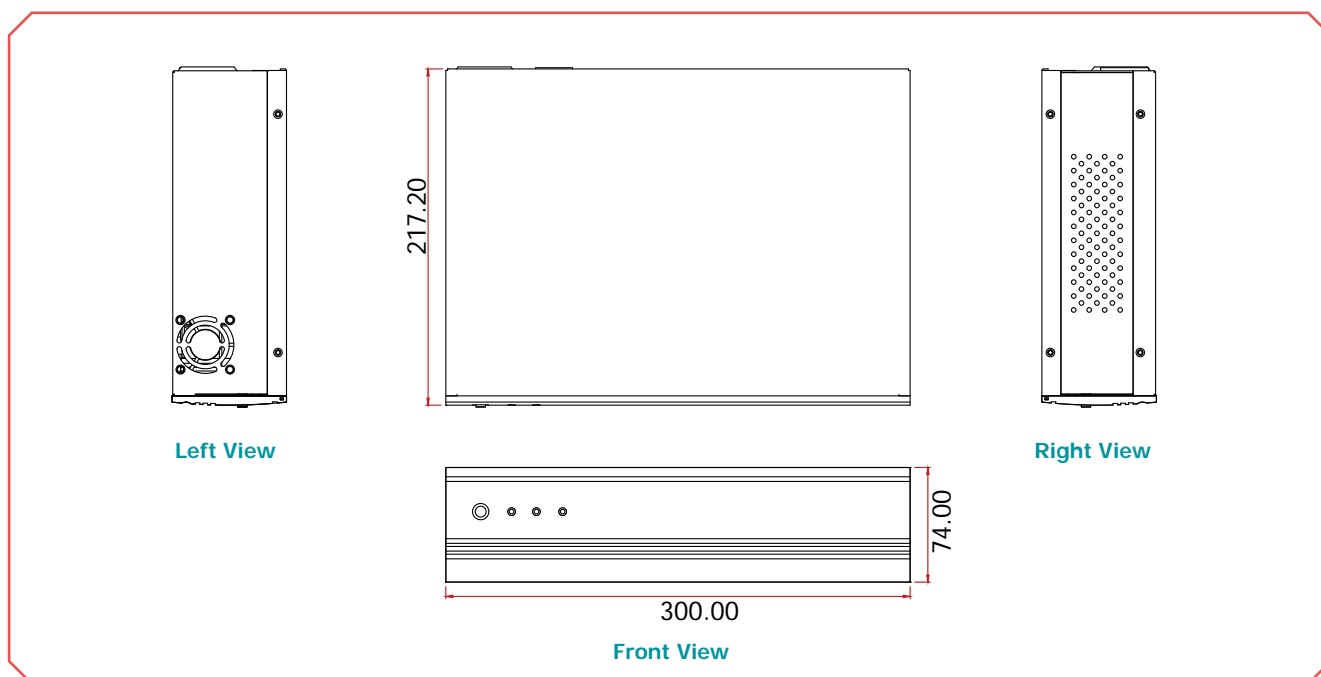


Optional  
Optical Drive

### Panel



### Dimensions



# DT122

### Specifications

#### STORAGE

- Up to 2 2.5" or 1 3.5" SATA drive bay
- 1 optical drive bay (optional)

#### FRONT PANEL

- 1 HDD LED
- 1 Power LED
- 1 Power button
- 1 Reset button

#### REAR PANEL

- 1 DB-9 cutout
- 1 DB-9/DB-15 cutout
- 1 DB-25 cutout

#### COOLING SYSTEM

- 1 system fan

#### EXPANSION

- 1 expansion slot
  - 1 PCIe x16 or 1 PCI slot

#### POWER

- Power type
  - Flex ATX power supply

#### ENVIRONMENT

- Temperature
  - Storage: -20°C ~ 60°C
- Humidity
  - 90% RH at 45°C, 1 week

#### VIBRATION

- Operating: 1G, 5~500Hz
- Non-operating: 1.5G, 5~25Hz
- IEC 68-2-64 compliant

#### SHOCK

- Operating: 3G peak acceleration (11 msec. duration)
- Non-operating: 10G peak acceleration (11 msec. duration)
- IEC 68-2-27 compliant

#### CONSTRUCTION

- Front panel: aluminum
- Rear chassis: sheet metal

#### MOUNTING

- 2 types of wall mount bracket
  - Type A
  - Type B

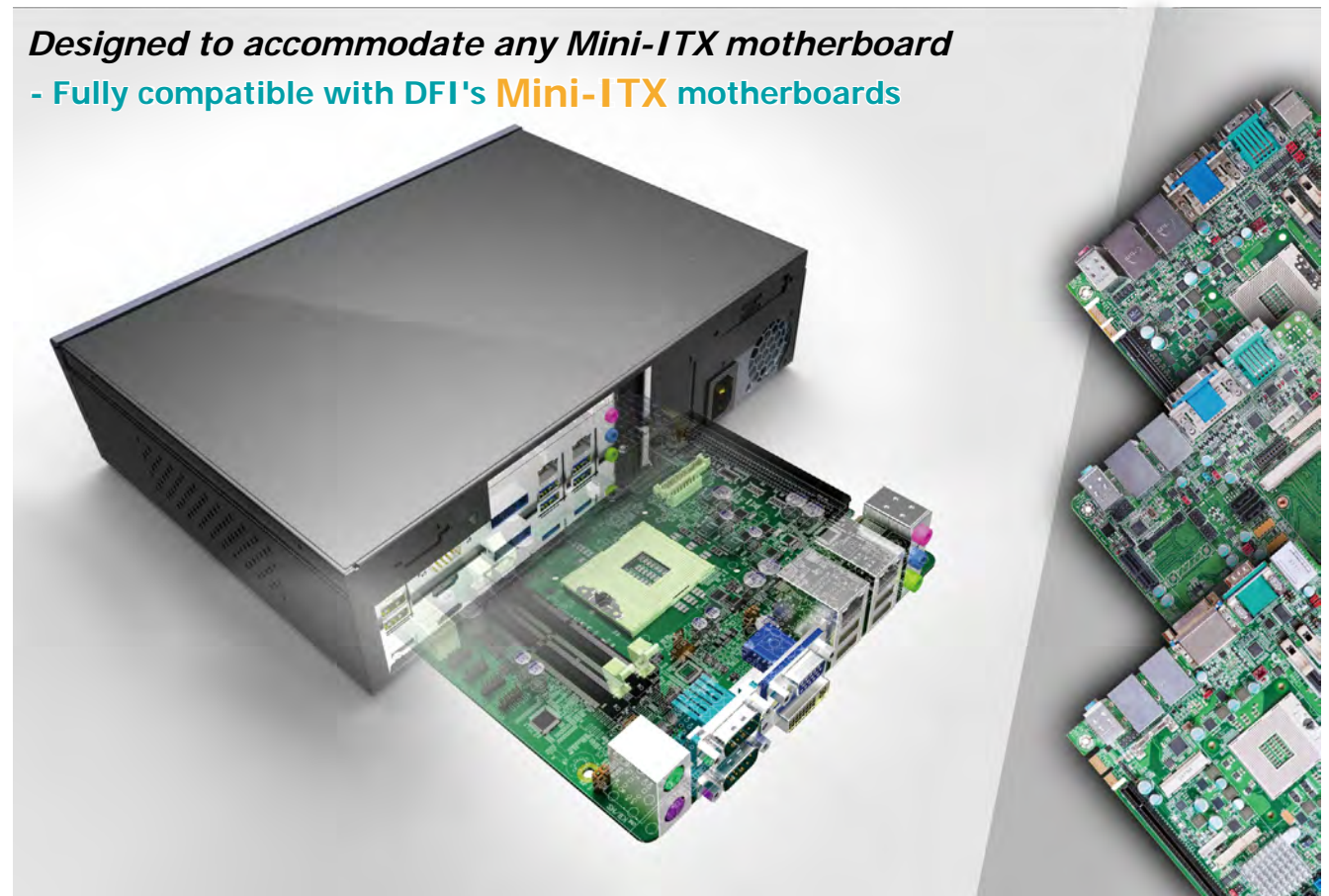


- Brackets and screws (optional)

#### DIMENSIONS

- 300mm x 74mm x 217.20mm (W x H x D)

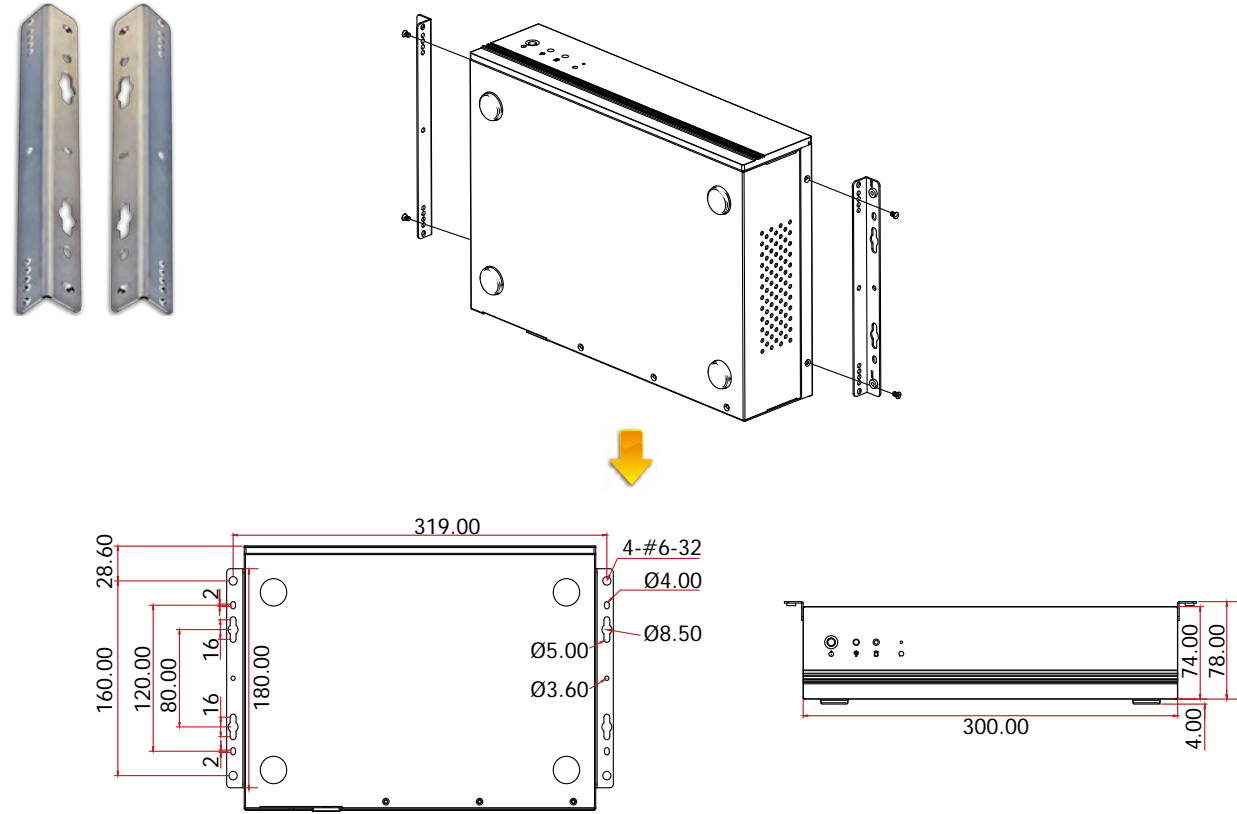
Designed to accommodate any Mini-ITX motherboard  
- Fully compatible with DFI's Mini-ITX motherboards



# DT122

## ▶ Wall Mounting

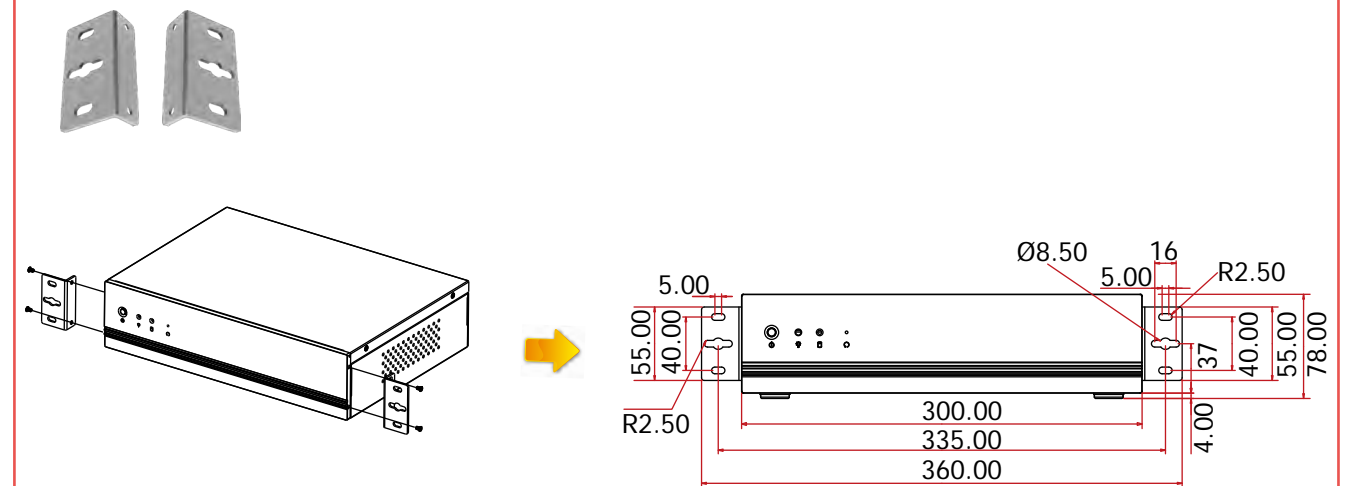
### Type A Wall mount bracket





# DT122

## ▶ Wall Mounting

### Type B Wall mount bracket



## ▶ Optional Items

| Optional Items | Part Number     | Description  |
|----------------|-----------------|--|
| Wall Mount     | 761-DT1220-100G | DT122 type A wall mount kit for top cover, RoHS<br>   |
|                | 761-DT1220-000G | DT122 type B wall mount kit for front cover, RoHS<br> |



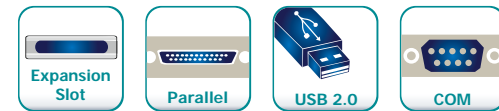
# WM340



microATX

### Features

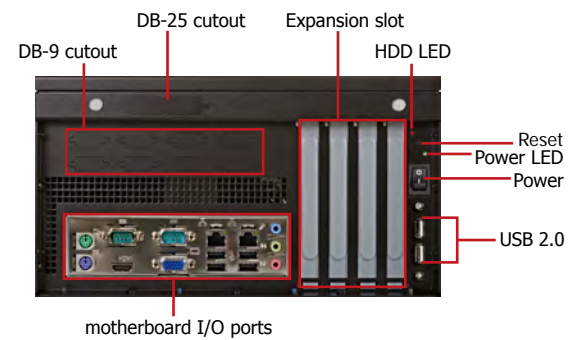
- Designed to accommodate any microATX board
- Support four expansion slots
- 2 2.5" SATA drive bays (standard)  
2 3.5" SATA drive bays (optional)



### Panel

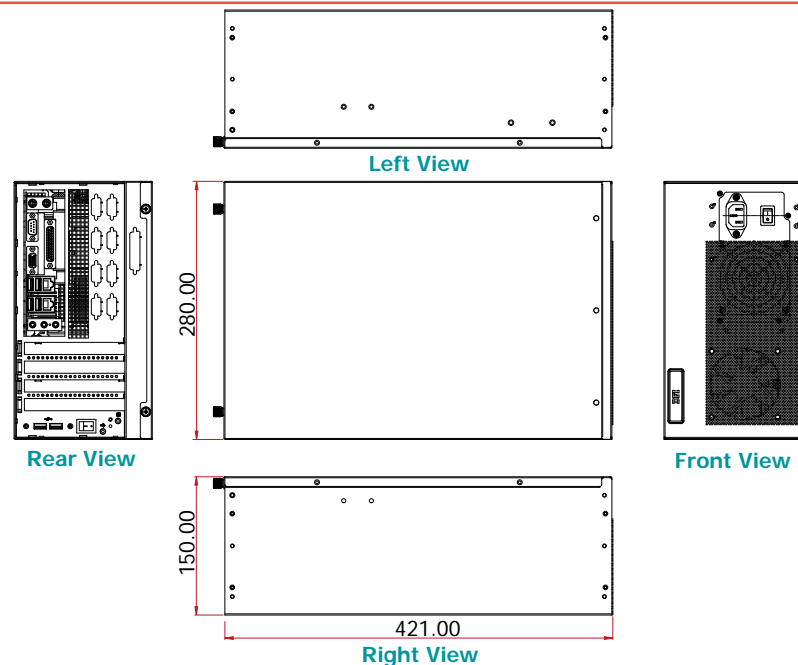


Front View



Rear View

### Dimensions



# WM340

### Specifications

#### STORAGE

- 2 2.5" SATA drive bays (standard)
- 2 3.5" SATA drive bays (optional)

#### EXPANSION

- 4 expansion slots

#### REAR I/O

- 1 DB-25 cutout
- 8 DB-9 cutout
- 2 USB 2.0 ports
- Power LED
- HDD LED
- 1 power switch
- 1 reset button

#### COOLING SYSTEM

- 1 system fan

#### POWER

- 300W PS/2 power supply

#### ENVIRONMENT

- Temperature
  - Storage: -10°C ~ 60°C
- Humidity
  - Operating: 85%

#### CONSTRUCTION

- SECC

#### MOUNTING

- Wall mount
  - brackets and screws (optional)

#### DIMENSIONS

- 280mm x 150mm x 421mm (W x H x D)

#### WEIGHT

- TBD

### Optional Items

| Optional Items | PN              | Description                |
|----------------|-----------------|----------------------------|
| Wall Mount     | 761-EC2000-000G | WM340 wall mount kit, RoHS |

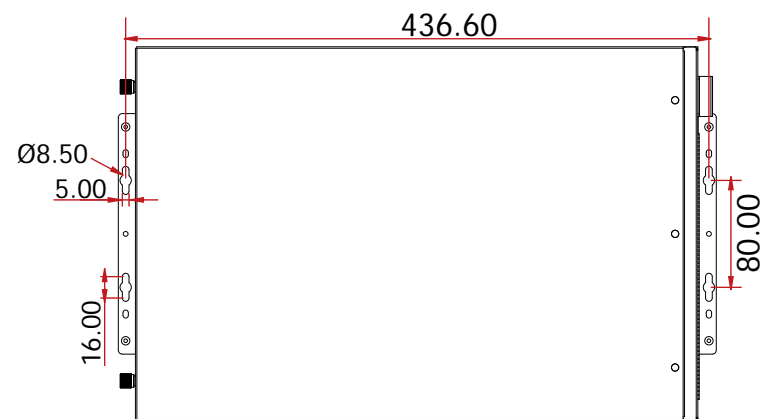
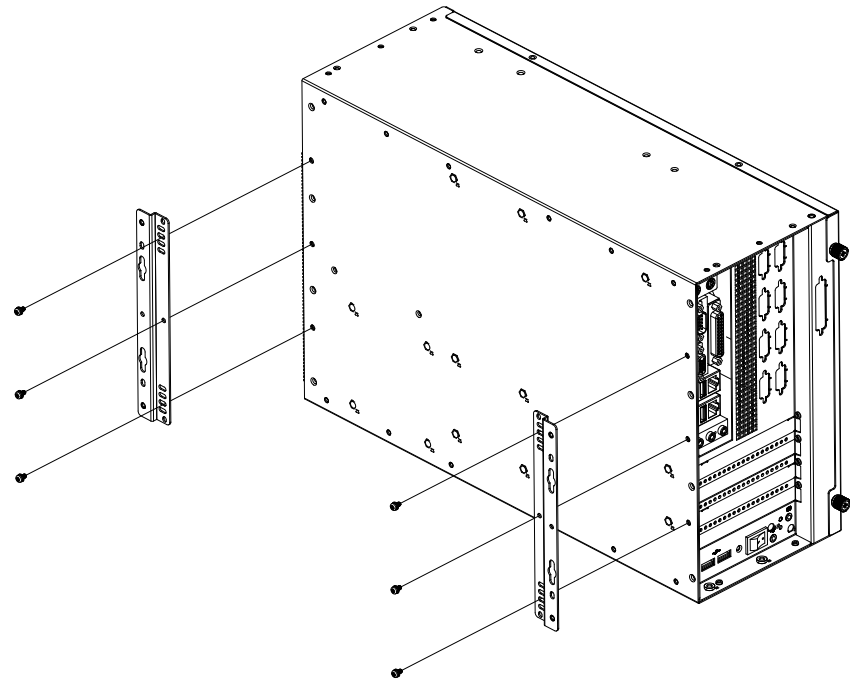
Designed to accommodate any microATX motherboard  
- Fully compatible with DFI's microATX motherboards



# WM340

## ▶ Wall Mounting

### 2 Wall mount brackets



AGS-TECH Inc

Phone: +1-505-550-6501 and +1-505-565-5102

Fax: +1-505-814-5778

Email: sales@agstech.net

Web: <http://www.agstech.net>



# WM340

## ▶ Wall Mounting

### 4 Wall mount brackets

