



Industrial Touch Monitor

10.1" Industrial Touch Monitor

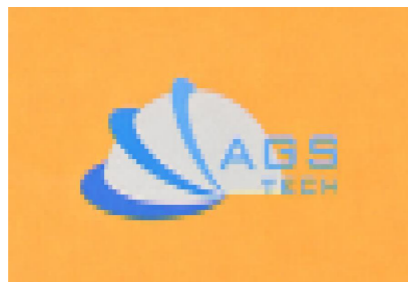
AGS-TECH Inc

Phone: +1-505-550-6501 and +1-505-565-5102

Fax: +1-505-814-5778

Email: sales@agstech.net

Web: <http://www.agstech.net>



DFI[®]

Revision Control • Long Product Life Cycle



LM101



► Features

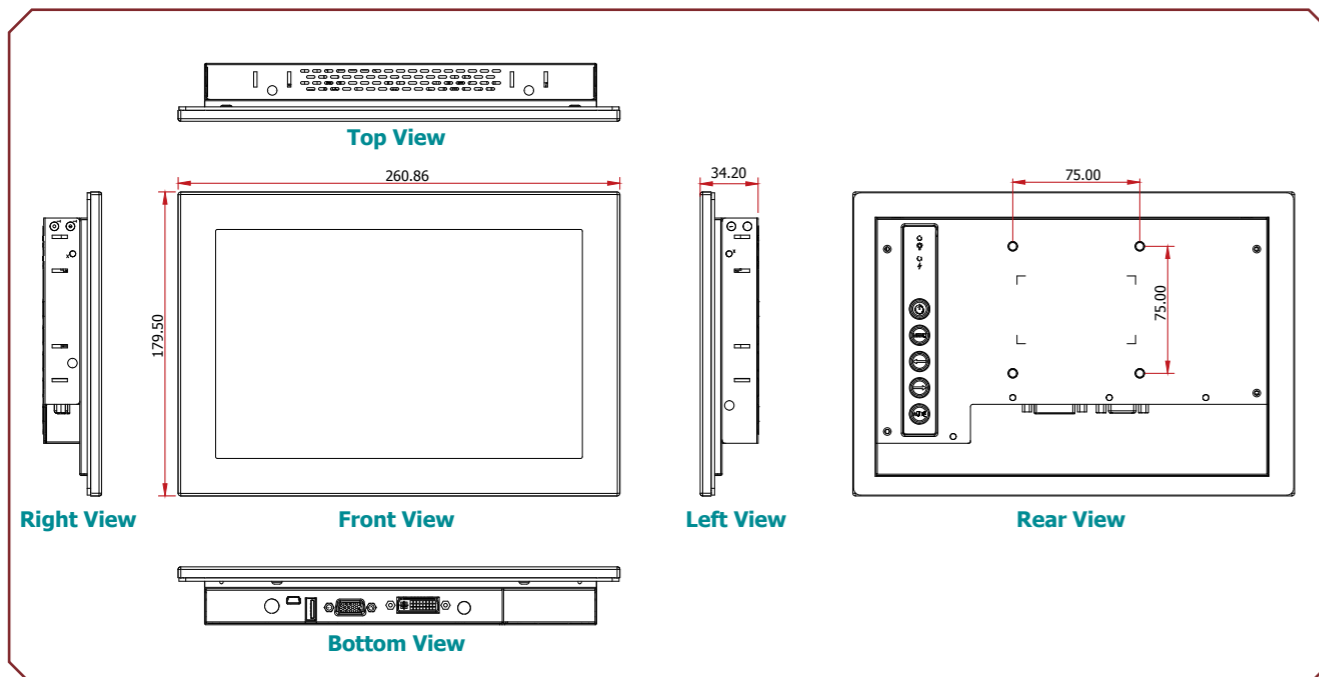
- 10.1" 1280x800 TFT LCD Panel
- 5 Function keys
- Powered by mini USB connector
- Plug-and-Display
- 1 DVI-I (DVI-D signal), 1 VGA



► Panel



► Dimensions



LM101

► Specifications

DISPLAY

- 10.1" 1280x800 TFT LCD monitor
- 300 nits SVGA
- 15,000 MTBF LED backlight

I/O PORTS

- Bottom
 - 1 USB 2.0/1.1 port (Type B)
 - 1 DVI-I port (DVI-D signal)
 - 1 VGA port
 - 1 +5V mini USB power connector
- Rear
 - 5 function keys: Power, Menu, Left/Up, Right/Down, Auto/Exit
 - Power LED
 - Standby LED

POWER

- Power input voltage: +5V mini USB power connector

ENVIRONMENT

- Temperature
 - Operating: 0°C ~ 45°C
 - Storage: -30°C ~ 70°C
- Relative Humidity
 - 90% RH at 45°C

VIBRATION

- Operating: 1G, 5~500Hz
- Non-operating: 2G, 5~25Hz
- IEC 68-2-64 compliant

SHOCK

- Operating: 3G peak acceleration (11 msec. duration)
- Non-operating: 10G peak acceleration (11 msec. duration)
- IEC 68-2-27 compliant

FRONT PANEL PROTECTION

- IP54 (Water Proof protection)

CONSTRUCTION

- SGCC

MOUNTING

- Wall mount bracket (option)
- Panel mount: mounting clamp (option)

DIMENSIONS

- 260.86mm x 179.50mm x 34.20mm (W x H x D)

WEIGHT

- TBD

AGS-TECH Inc

Phone: +1-505-550-6501 and +1-505-565-5102

Fax: +1-505-814-5778

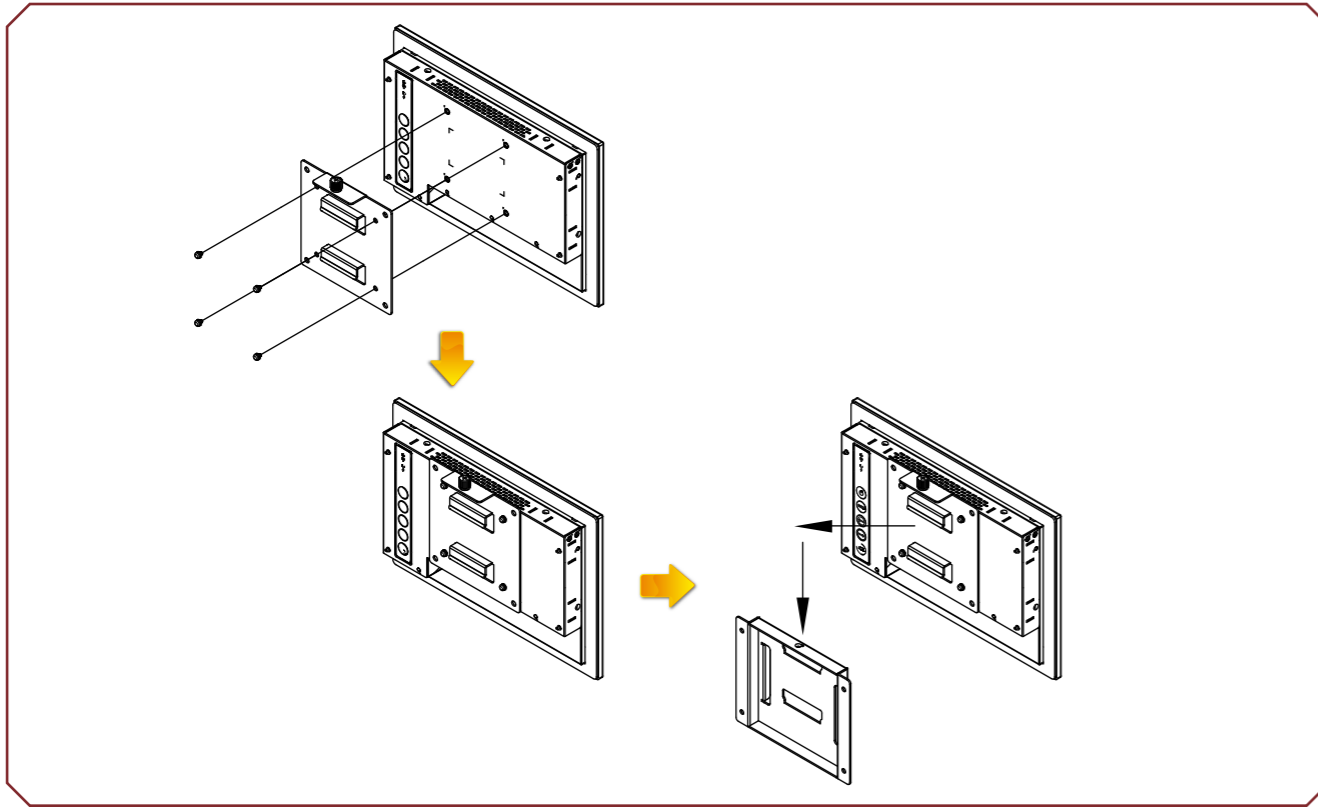
Email: sales@agstech.net

Web: <http://www.agstech.net>

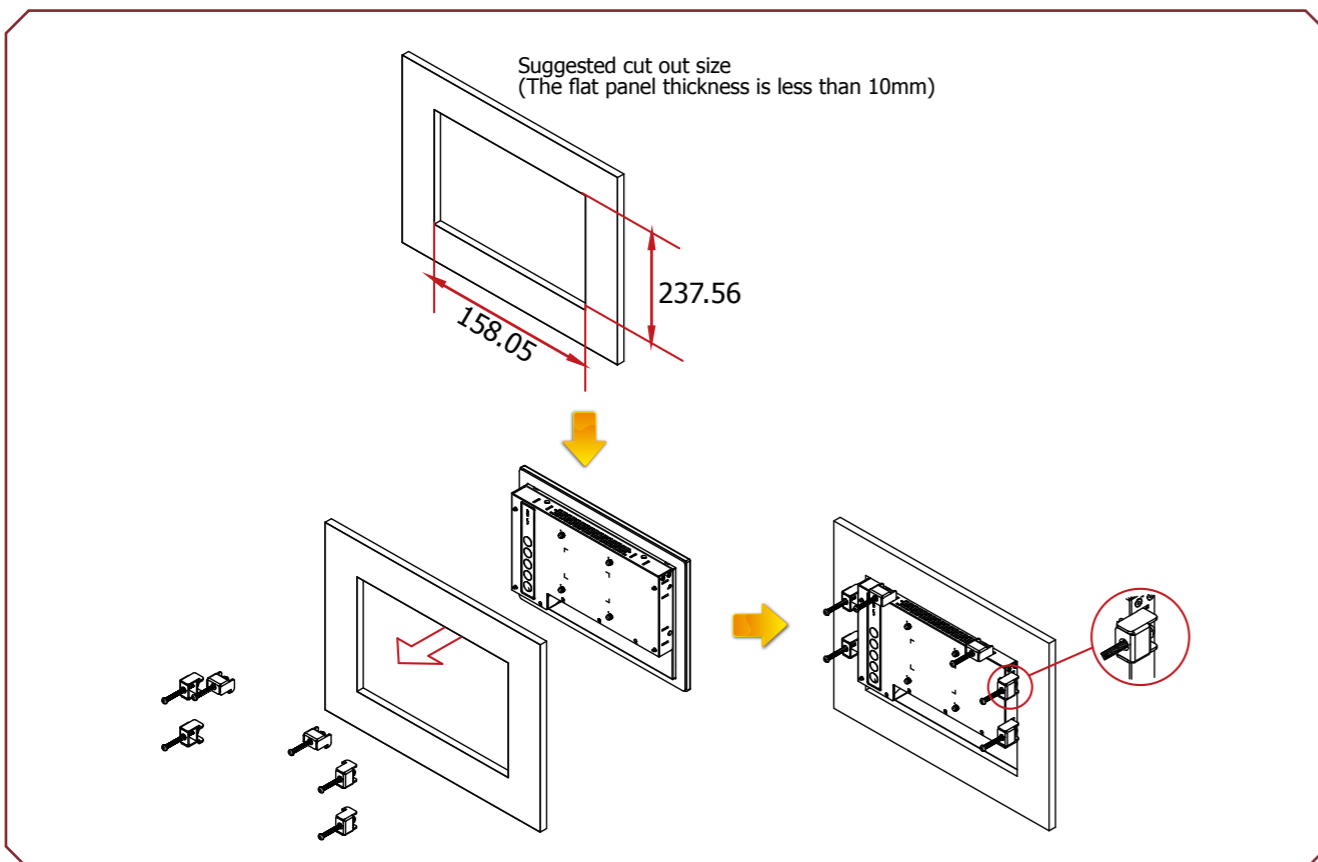


LM101

► Wall Mounting



► Panel Mounting



LM101

► Ordering Information

| Model Name | Part Number | Description |
|-----------------|-----------------|--|
| LM101-NU | 750-LM1010-000G | 10.1" Panel PC, 1280x800, mini USB power, display monitor |
| LM101-RU | 750-LM1010-100G | 10.1" Panel PC, 1280x800, mini USB power, resistive touch screen monitor |

► Optional Items

| Optional Items | Part Number | Description |
|--------------------|-------------|----------------------------------|
| Wall Mount | 785-PPCWMK | Standard Panel PC Wall Mount kit |
| Panel Mount | 785-070PMK | Panel Mount Kit, RoHS |

► Packing List

| |
|---|
| • 1 LM101 system unit |
| • 1 VGA cable |
| • 1 USB type A to mini USB power cable |
| • 1 Quick Installation Guide |
| • 1 CD disk includes: - Drivers / Manual |

AGS-TECH Inc

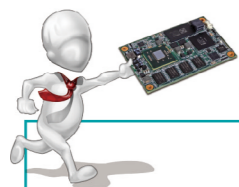
Phone: +1-505-550-6501 and +1-505-565-5102

Fax: +1-505-814-5778

Email: sales@agstech.net

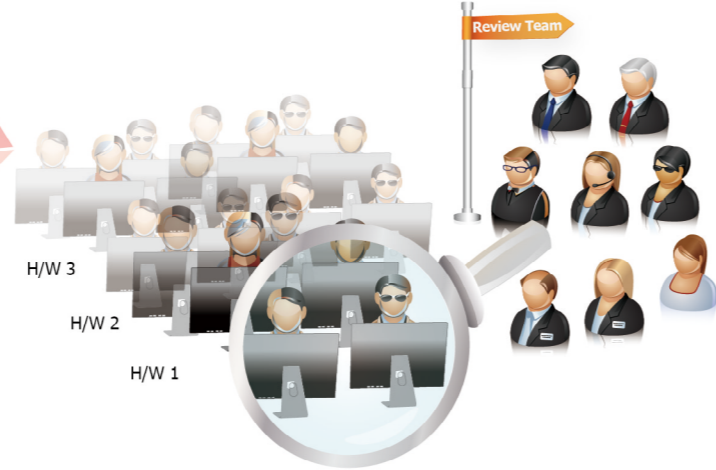
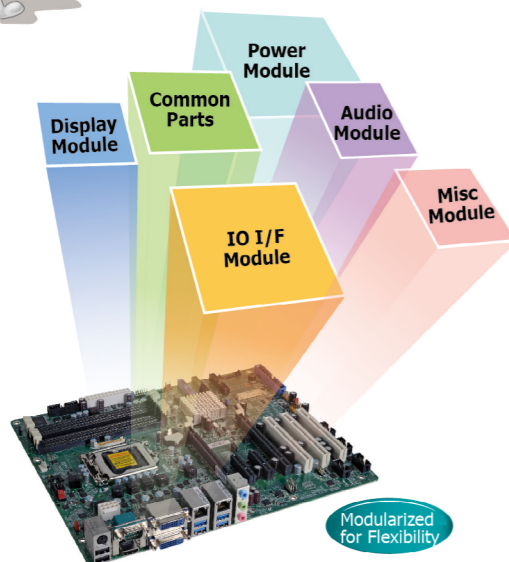
Web: <http://www.agstech.net>





Design

We Focus on Research and Development

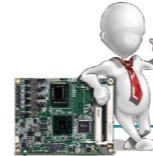


1. Modular Design

Consistency in design and quality
Shortens development process

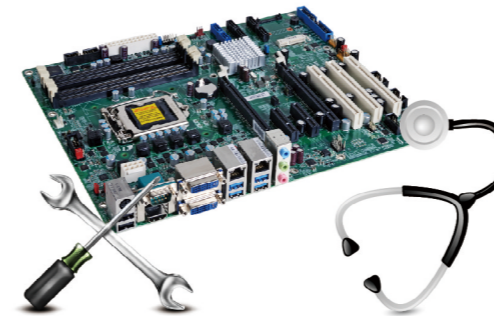
2. Dedicated Design Review Team

The review team checks and verifies the circuit, layout and components



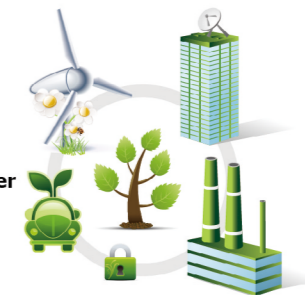
Quality

Reliable quality



ISO 9001 ISO14001 QC080000 ISO13485

Sony Green Partner



1. Less than 0.3% RMA Return Rate

2. Certifications

Conforms to International Standards



Service

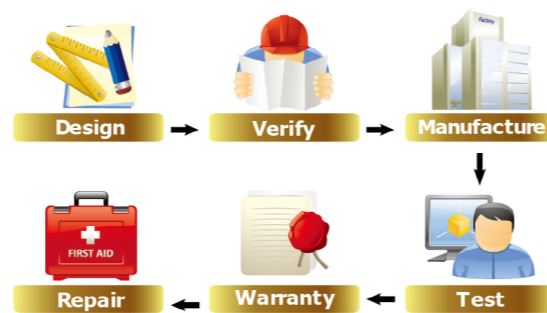
Quick and Efficient Services



Express Customization Service working **30 DAYS**



2. Custom BIOS, API, OS Image



3. OEM/ODM/EMS

We provide well-rounded support and services that fit your need

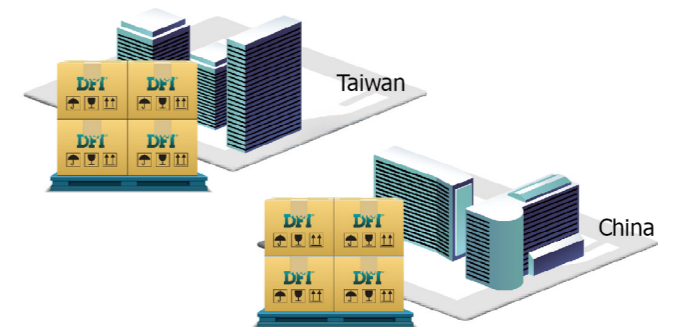
1. Express Customization Service: 30 days

First engineering sample available within 30 working days



Manufacturing

100% in-house



2. Two manufacturing sites produce the same quality products

1. From project kickoff to life cycle management: 100% in-house

3. 32 years of experience in volume production (up to 250K/m)

