



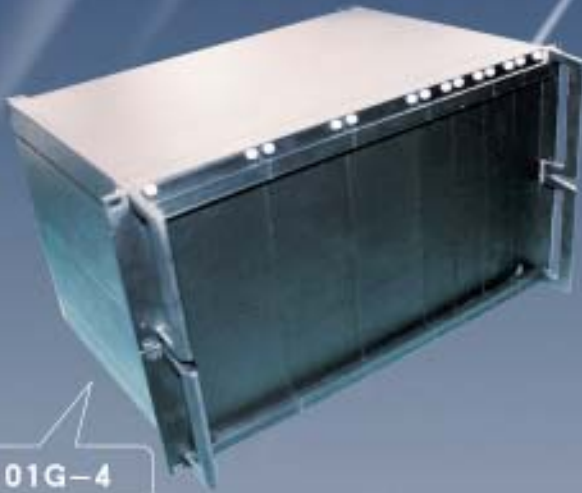
DESKTOP & RACK - MOUNTING SYSTEM



01A



01B



01G-4



01J



01M



01L

01 Instrument case system I

Available size

Height/Width Chart of 01A ,01B,01L,01M,01J

Exterior size		Interior size		Panel size		Panel mounting size	
Overall Height	Overall width	Inside Height	Inside Width	Front panel blank size	Rear panel blank size	Front panel	Rear panel
H(U)	L(mm)	h(mm)	l(mm)/(HP)	B(mm)xA(mm)	D(mm)xC(mm)	m(mm)	n(mm)
2	236	67	218/42	214x85	213x85	77.5	76.5
2	343	67	325/63	321x85	320x85	77.5	76.5
2	450	67	432/84	428x85	427x85	77.5	76.5
3	236	112	218/42	214x130	213x130	121.5	121.5
3	343	112	325/63	321x130	320x130	121.5	121.5
3	450	112	432/84	428x130	427x130	121.5	121.5
4	236	157	218/42	214x174	213x174	166.5	166.5
4	343	157	325/62	321x174	320x174	166.5	166.5
4	450	157	432/84	428x174	427x174	166.5	166.5

Depth Chart of 01A ,01B,01L,01M,01J

OverallDepth	T(mm)	180	240	300	320	360
InteriorDepth	t(mm)	164	224	284	304	344

Note: 1U=44.45mm,1HP=5.08mm

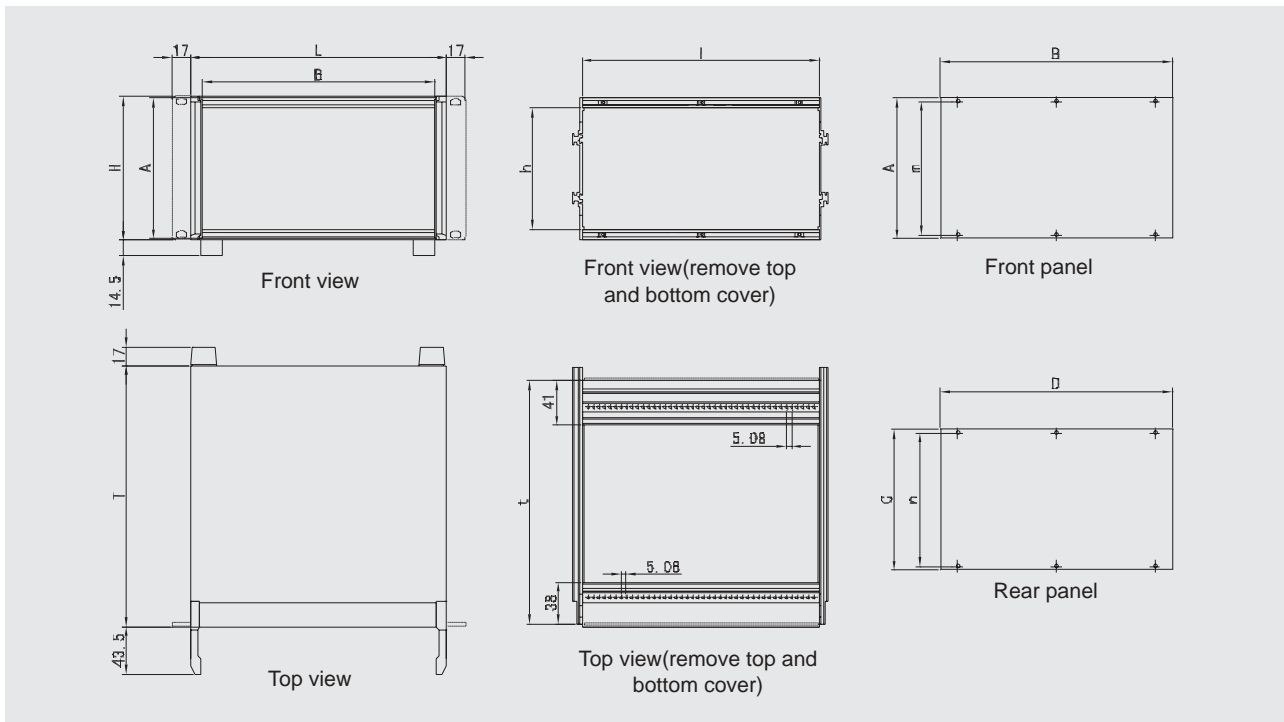
The dimensions shown in the table are only for reference (may exist ± 0.5 mm dimensions variation)

Custom overall depth and overall width available upon request

The inside width is the same as the length of the horizontal rail

Refer to the following drawing for the definition of enclosure size

Drawing



Height/Width Chart of 01G-3,01G-4,01G-6,01G-7

Exterior size		Interior size		Panel size		Panel mounting size	
Overall Height	Overall width	Inside Height	Inside Width	Front panel blank size	Rear panel blank size	Front panel	Rear panel
H(U)	L(mm)	h(mm)	l(mm)/(HP)	B(mm) × A(mm)	D(mm) × C(mm)	m(mm)	n(mm)
5	236	202	218/42	214 × 219	213 × 219	221.5	221.5
5	343	202	325/63	321 × 219	320 × 219	221.5	221.5
5	450	202	432/84	428 × 219	427 × 219	221.5	221.5
6	236	246	218/42	214 × 263	213 × 263	267.5	267.5
6	343	246	325/63	321 × 263	320 × 263	267.5	267.5
6	450	246	432/84	428 × 263	427 × 263	267.5	267.5
7	236	291	218/42	214 × 308	213 × 308	310.5	310.5
7	343	291	325/63	321 × 308	320 × 308	310.5	310.5
7	450	291	432/84	428 × 308	427 × 308	310.5	310.5
8	236	335	218/42	214 × 363	213 × 363	354.5	354.5
8	343	335	325/63	321 × 363	321 × 363	354.5	354.5
8	450	335	432/84	428 × 363	428 × 363	354.5	354.5

Depth Chart of 01G-3,01G-4,01G-6,01G-7

OverallDepth	T(mm)	180	240	300	320	360
InteriorDepth	t(mm)	164	224	284	304	344

Note: 1U=44.45mm, 1HP=5.08mm

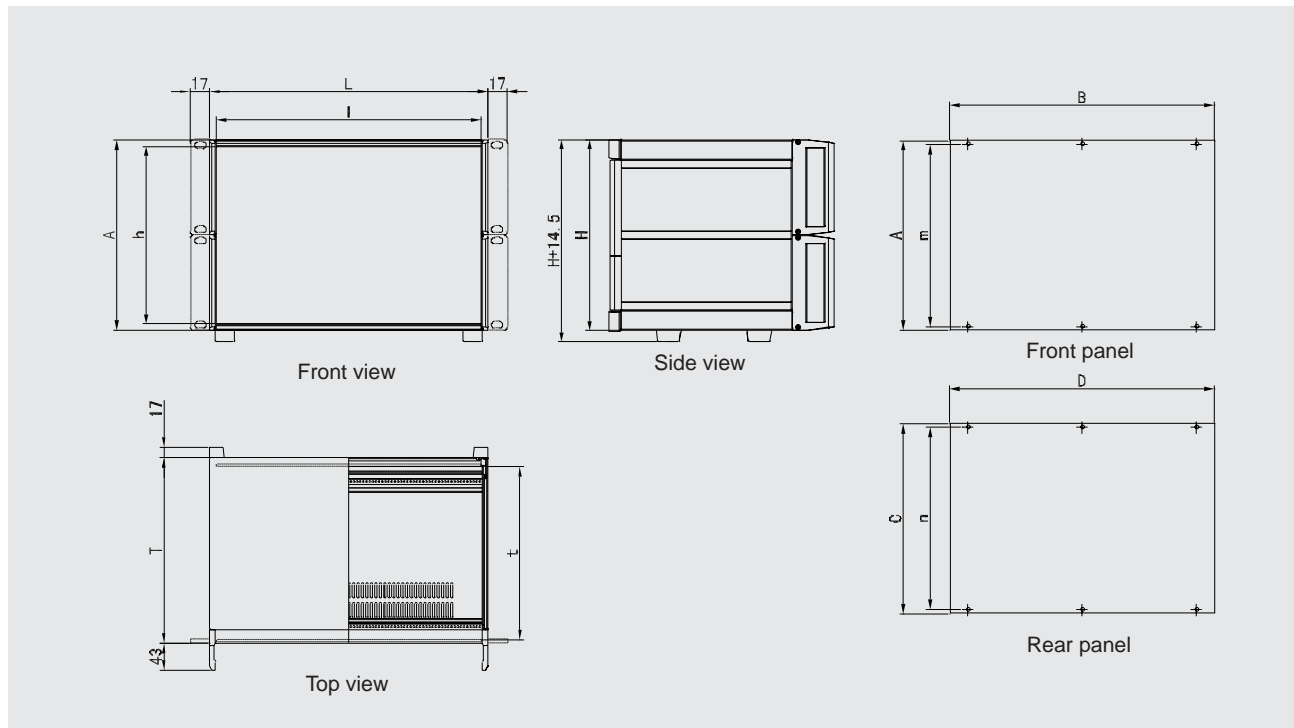
The dimensions shown in the table are only for reference (may exist ± 0.5mm dimensions variation)

Custom overall depth and overall width available upon request

The inside width is the same as the length of the horizontal rail

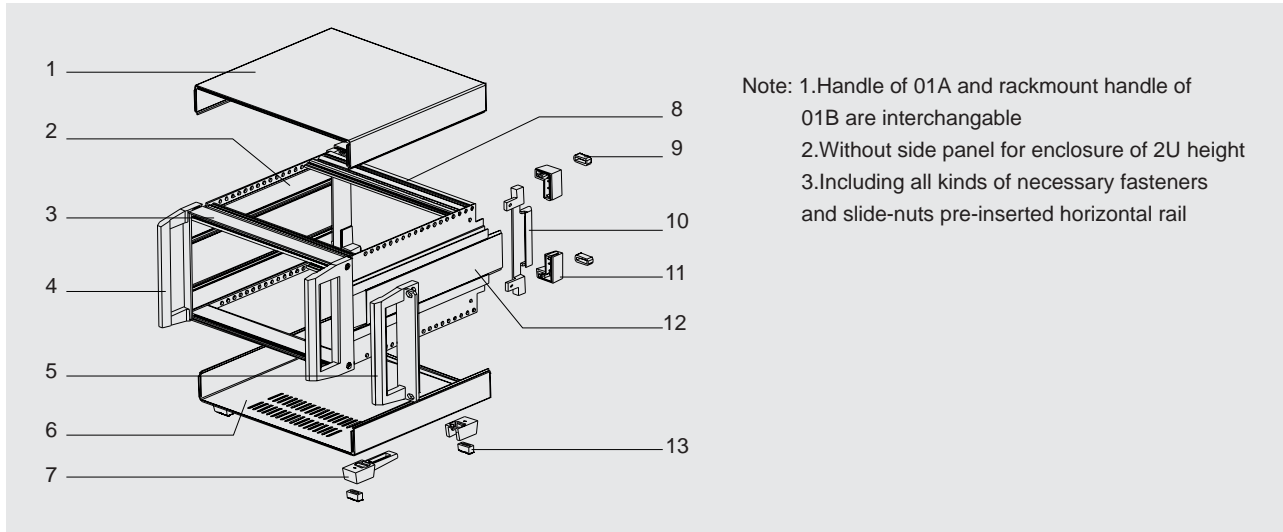
Refer to the following drawing for the definition of enclosure size

Drawing



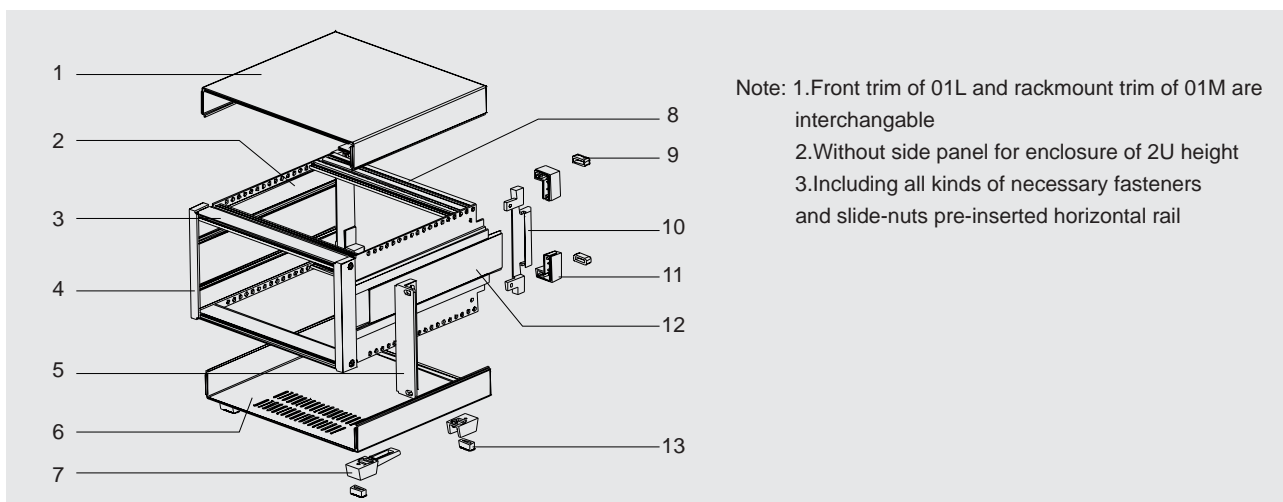
Standard delivery

For 01A /01B



ITEM	PART	QTY	DESCRIPTION
1	Top cover	1	1mm aluminium sheet,spary plastic
2	Side plate	2	Aluminium extrusion,spary plastic,pre-punched holes for addtional horizontal extrusion
3	Front horizontal rail	2	Aluminium extrusion,spary plastic,pre-punched holes for card guide
4	Handle	2	Die-cast aluminium,spary plastic,as standard version of 01A
5	Rackmount handle	2	Die-cast aluminium,spary plastic,as standard version of 01B
6	Bottom cover	1	1mm aluminium sheet,spary plastic,with vent holes for standard delivery
7	Bottom feet	4	Moulded in PC, with 2 pieces of fold-out support feet
8	Rear horizontal rail	2	Aluminium extrusion,clear anodized,pre-punched holes for card guide
9	Rear anti-slip insert	4	Moulded in rubber-plastic
10	Rear trim	2	Die-cast aluminium,spary plastic
11	Rear feet	4	Moulded in PC
12	Side panel	2	1mm aluminium sheet
13	Bottom anti-slip insert	4	Moulded in rubber-plastic

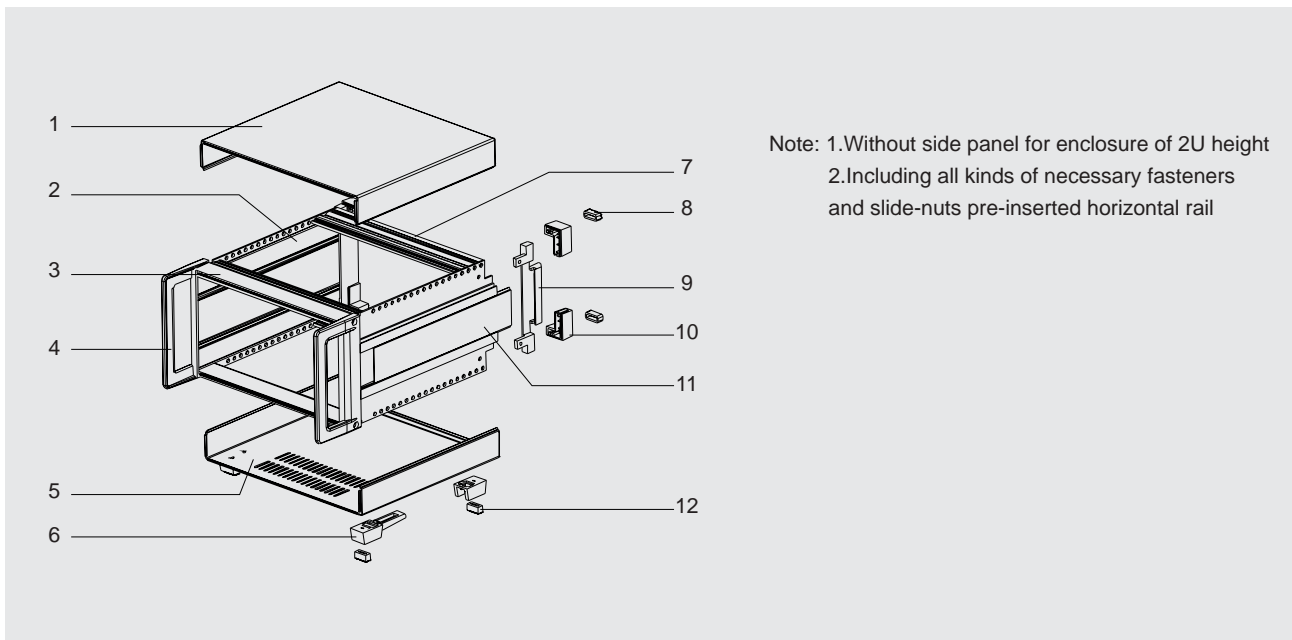
For 01L /01M



01 Instrument case system I

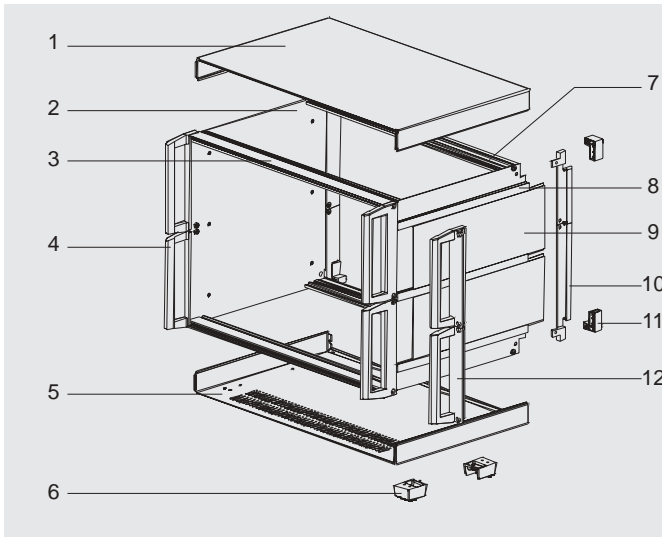
ITEM	PART	QTY	DESCRIPTION
1	Top cover	1	1mm aluminium sheet,spary plastic
2	Side plate	2	Aluminium extrusion,spary plastic,pre-punched holes for additional horizontal extrusion
3	Front horizontal rail	2	Aluminium extrusion,spary plastic,pre-punched holes for card guide
4	Front trim	2	Die-cast aluminium,spary plastic,as standard version of 01L
5	Rackmount trim	2	Die-cast aluminium,spary plastic,as standard version of 01M
6	Bottom cover	1	1mm aluminium sheet,spary plastic,with vent holes for standard delivery
7	Bottom feet	4	Moulded in PC, with 2 pieces of fold-out support feet
8	Rear horizontal rail	2	Aluminium extrusion,clear anodized,pre-punched holes for card guide
9	Rear anti-slip insert	4	Moulded in rubber-plastic
10	Rear trim	2	Die-cast aluminium,spary plastic
11	Rear feet	4	Moulded in PC
12	Side panel	2	1mm aluminium sheet
13	Bottom anti-slip insert	4	Moulded in rubber-plastic

For 01J



ITEM	PART	QTY	DESCRIPTION
1	Top cover	1	1mm aluminium sheet,spary plastic
2	Side plate	2	Aluminium extrusion,spary plastic,pre-punched holes for additional horizontal extrusion
3	Front horizontal rail	2	Aluminium extrusion,spary plastic,pre-punched holes for card guide
4	Handle	2	Die-cast aluminium,spary plastic
5	Bottom cover	1	1mm aluminium sheet,spary plastic,with vent holes for standard delivery
6	Bottom feet	4	Moulded in PC, with 2 pieces of fold-out support feet
7	Rear horizontal rail	2	Aluminium extrusion,clear anodized,pre-punched holes for card guide
8	Rear anti-slip insert	4	Moulded in rubber-plastic
9	Rear trim	2	Die-cast aluminium,spary plastic
10	Rear feet	4	Moulded in PC
11	Side panel	2	1mm aluminium sheet
12	Bottom anti-slip insert	4	Moulded in rubber-plastic

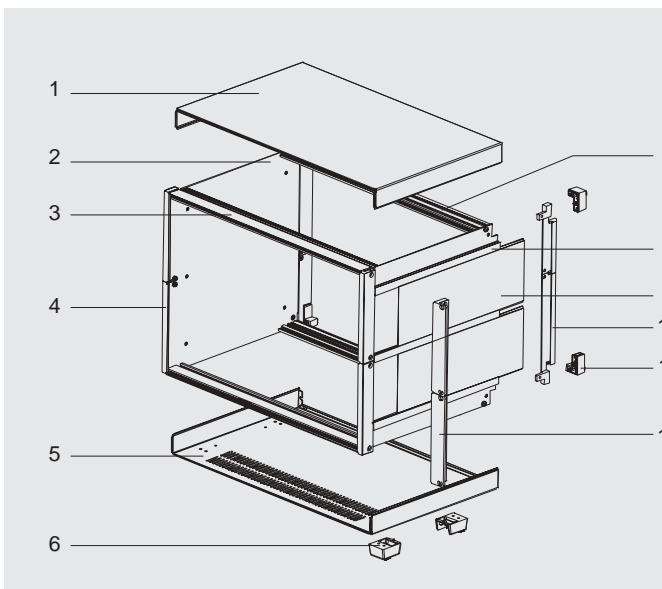
For **01G-3/01G-4**



Note: 1.Handle of 01G-3 and rackmount handle of 01G-4 are interchangeable
 2.Including all kinds of necessary fasteners and slide-nuts pre-inserted horizontal rail

ITEM	PART	QTY	DESCRIPTION
1	Top cover	1	1mm aluminium sheet,spary plastic
2	Side plate	2	2mm steel sheet
3	Front horizontal rail	2	Aluminium extrusion,spary plastic,pre-punched holes for card guide
4	Handle	4	Die-cast aluminium,spary plastic,as standard version of 01G-6
5	Bottom cover	1	1mm aluminium sheet,spary plastic,with or without vent holes available
6	Bottom feet	4	Moulded in PC, 2 pieces of fold-out support feet
7	Rear horizontal rail	2	Aluminium extrusion,clear anodized
8	Side rail	6	Aluminium extrusion,spary plastic
9	Side panel	4	1mm aluminium sheet,spary plastic
10	Rear trim	2	Die-cast aluminium,spary plastic
11	Rear feet	4	Moulded in PC
12	Rackmount handle	4	Die-cast aluminium,spary plastic,as standard version of 01G-7

For **01G-6/01G-7**



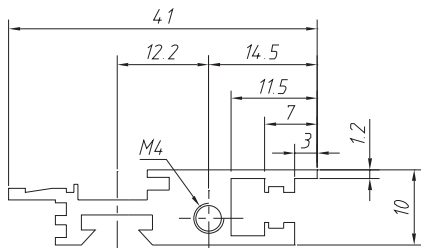
Note: 1.Front trim of 01G-6 and rackmount handle of 01G-7 are interchangeable
 2.Including all kinds of necessary fasteners and slide-nuts pre-inserted horizontal rail

01 Instrument case system I

ITEM	PART	QTY	DESCRIPTION
1	Top cover	1	1mm aluminium sheet, spary plastic
2	Side plate	2	2mm steel sheet
3	Front horizontal rail	2	Aluminium extrusion, spary plastic, pre-punched holes for card guide
4	Front trim	4	Die-cast aluminium, spary plastic, as standard version of 01G-6
5	Bottom cover	1	Aluminium sheet, spary plastic, with vent holes for standard delivery
6	Bottom feet	4	Moulded in PC, with 2 pieces of fold-out support feet
7	Rear horizontal rail	2	Aluminium extrusion, clear anodized, pre-punched holes for card guide
8	Side rail	6	Aluminium extrusion, spary plastic
9	Side panel	4	1mm aluminium sheet, spary plastic
10	Rear trim	2	Die-cast aluminium, spary plastic
11	Rear feet	4	Moulded in PC
12	Rackmount handle	4	Die-cast aluminium, spary plastic, as standard version of 01G-7

Standard parts

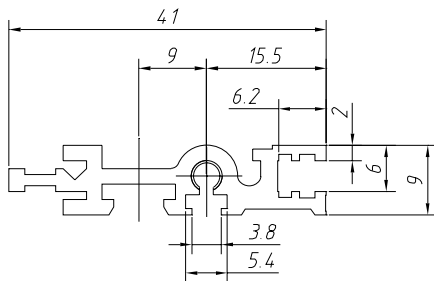
Front horizontal rail



- Material: Aluminum extrusion
- Spary plastic
- pre-punched holes of 5.08mm space for card guide

Length table			
for HP	42	63	84
Length(mm)	218	325	432

Rear horizontal rail

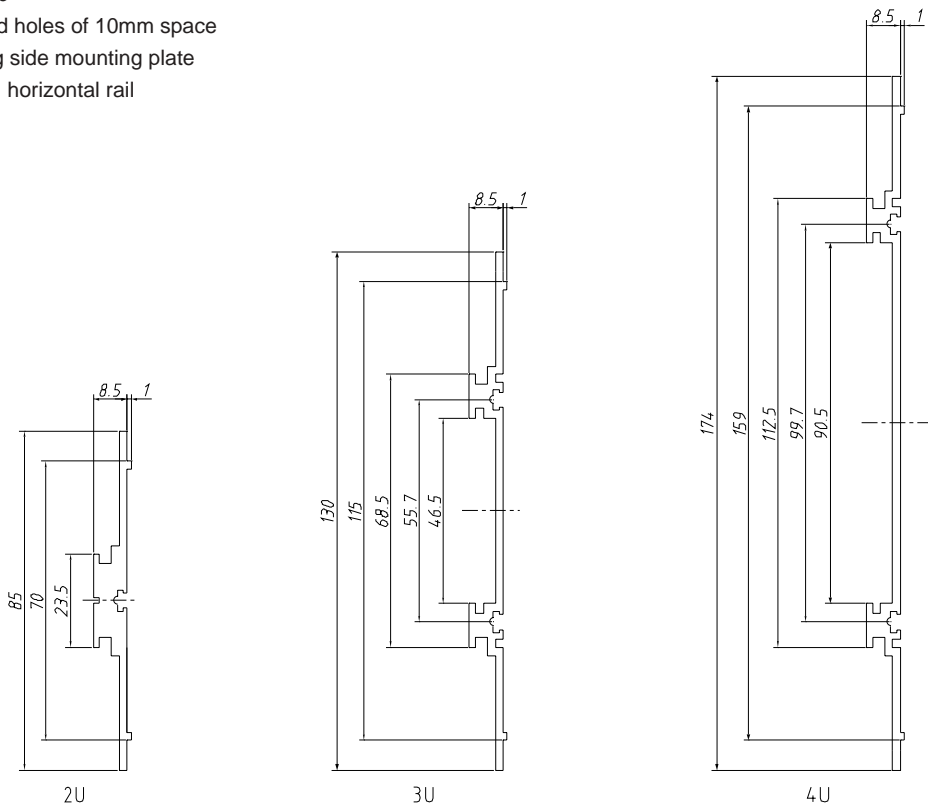


- Material: Aluminum extrusion
- Spary plastic
- pre-punched holes of 5.08mm space for card guide

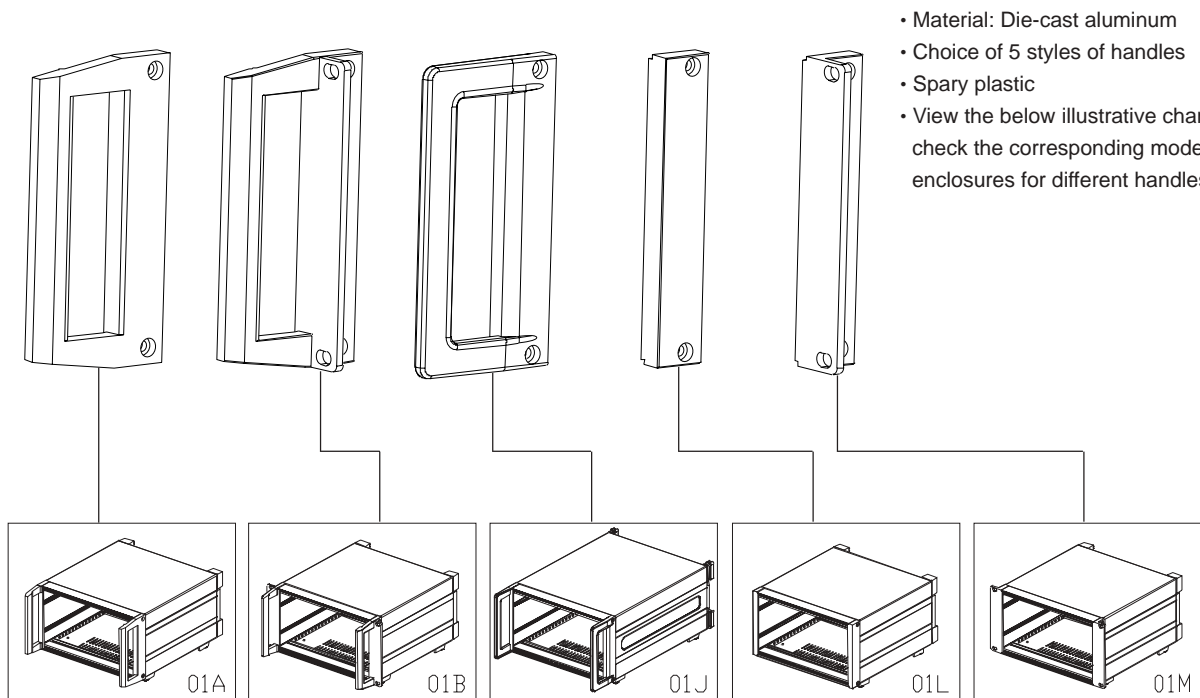
Length table			
for HP	42	63	84
Length(mm)	218	325	432

Side plate

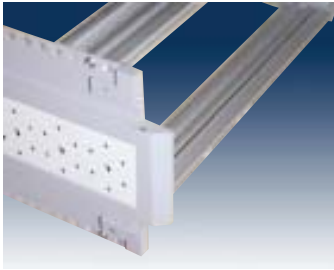
- Material: Aluminum extrusion
- Spary plastic
- Pre-punched holes of 10mm space for mounting side mounting plate or additional horizontal rail



Handle / Front trim



Rear trim



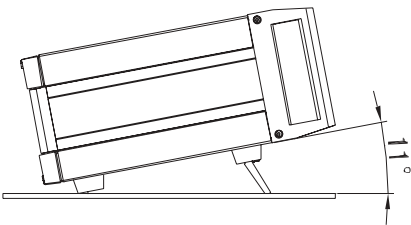
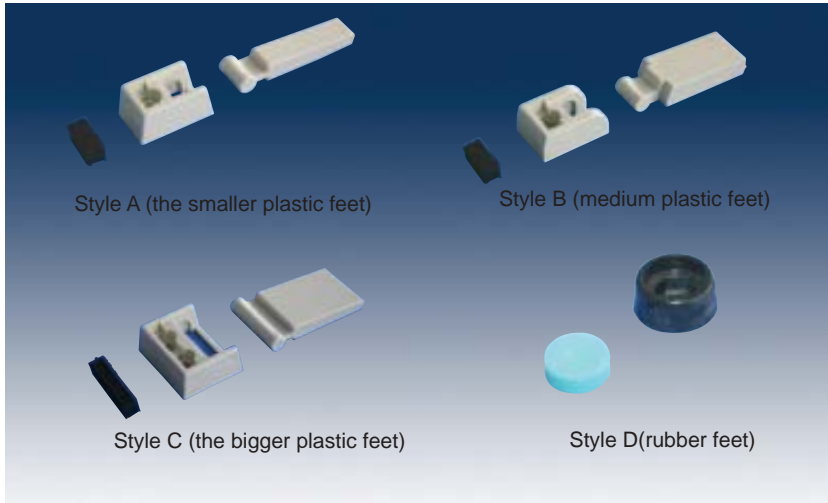
- Material: Die-cast aluminum
- Spary plastic

Rear feet



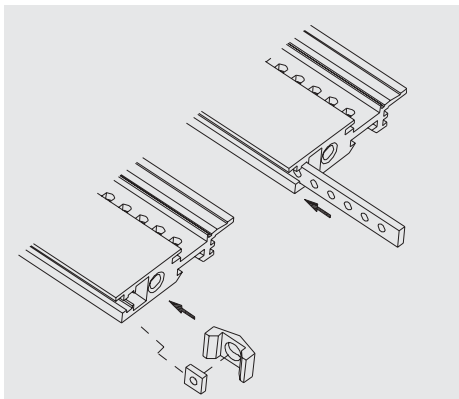
- Material: PC or ABS plastic
- With anti-slip rubber insert

Bottom feet



- Material: PC or ABS plastic
- Choice of four styles
- Style A as standard version

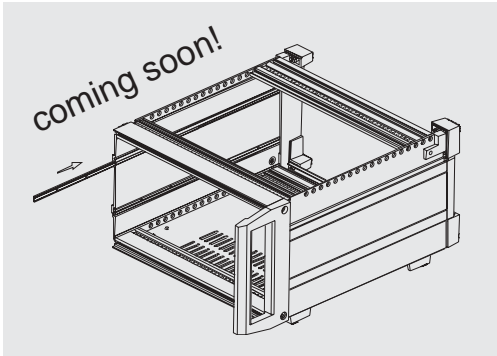
Slide nut / threaded strip



- Material: Stainless steel for threaded strip
- With threaded holes of 5.08mm space for threaded strip
- Slide nuts as standard delivery
- For mounting panels

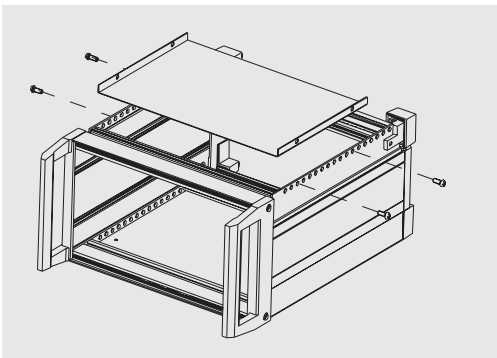
Optional accessories

Vertical threaded strip

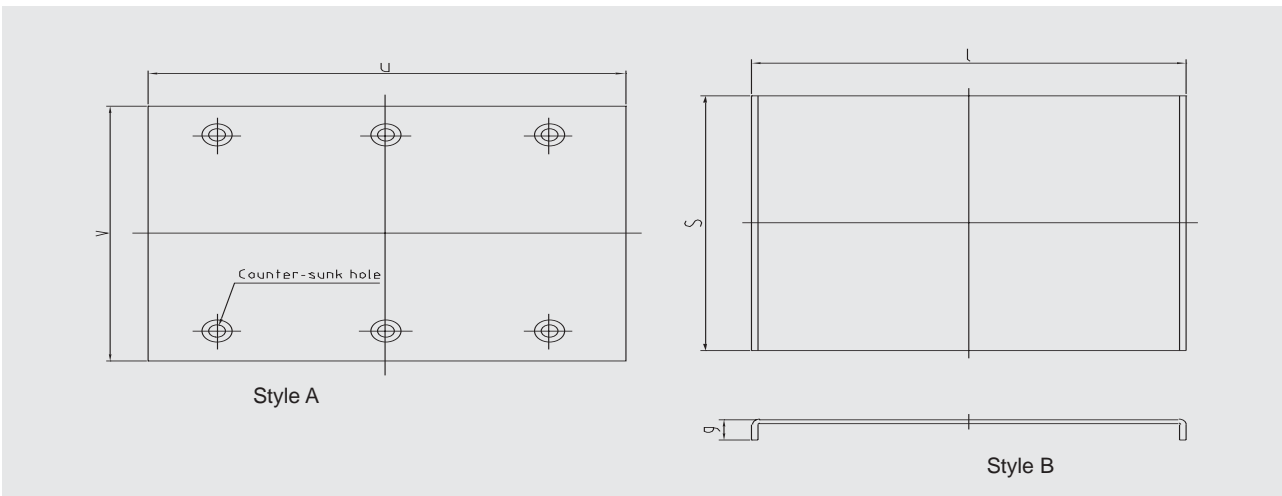


- Material: Aluminum extrusion
- Clear anodized
- Threaded holes for installation of PCB

Bottom mounting plate



- Material: 1.5mm or 2mm Aluminum sheet
- Choice of two styles (style A and style B)
- Fixing onto front rail and rear rail for style A
- Fixing onto two side plate for style B



Dimensions chart

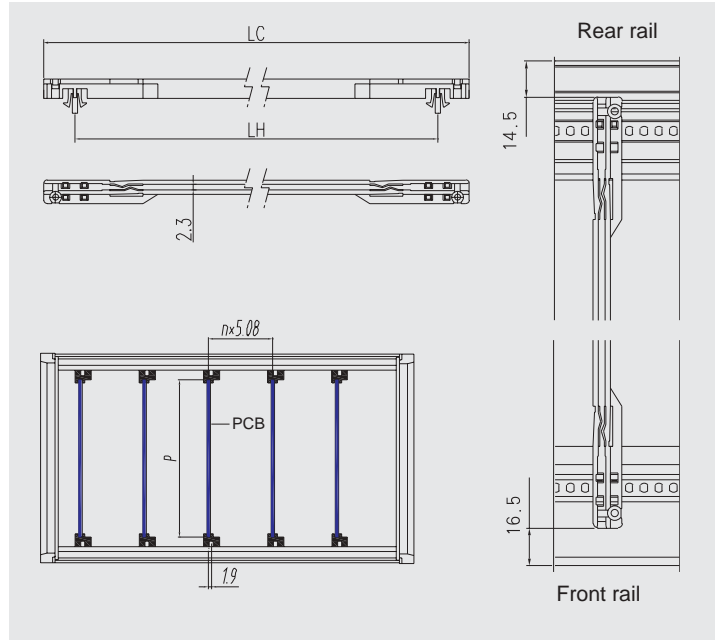
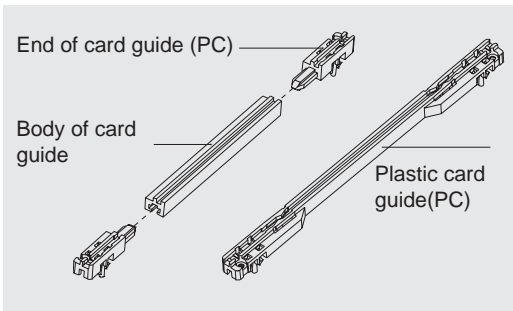
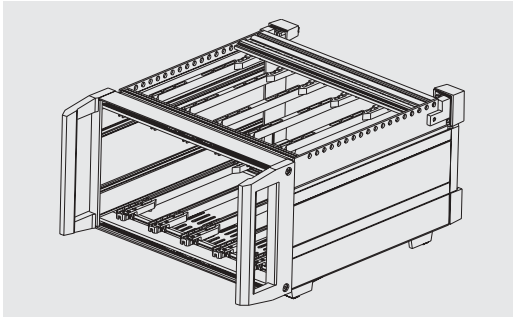
Chart 1 (For style A) $u(\text{mm}) \times v(\text{mm})$

Width T	42HP	63HP	84HP
180mm	215 × 161	322 × 161	429 × 161
240mm	215 × 221	322 × 221	429 × 221
300mm	215 × 281	322 × 281	429 × 281
320mm	215 × 301	322 × 301	429 × 301
360mm	215 × 341	322 × 341	429 × 341

Chart 2 (For style B) $l(\text{mm}) \times s(\text{mm})$

Width T	42HP	63HP	84HP
180mm	218 × 96	325 × 96	432 × 96
240mm	218 × 156	325 × 156	432 × 156
300mm	218 × 216	325 × 216	432 × 216
320mm	218 × 236	325 × 236	432 × 236
360mm	218 × 276	325 × 276	432 × 276

Card guide

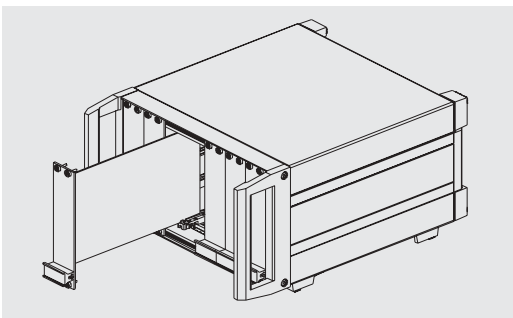


Length of plastic card guide			
LC(mm)	143	210	
LH(mm)	123	183	

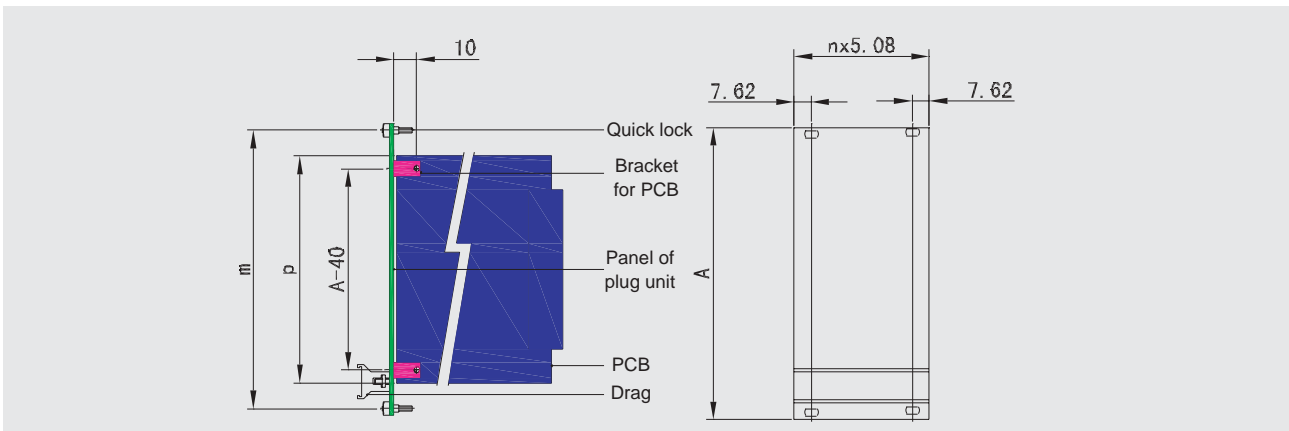
Height of PCB			
H	2U	3U	4U
P(mm)	55	100.5	145

- Choice of two styles of card guides (plastic or aluminum extrusion)
- moulded in PC for plastic card guide
- Optional length for aluminum extrusions card guide
- Suitable for 1.6mm to 2.0mm nominal thickness
- Custom colors available

Panel of plug-in unit



- Material :2mm aluminium sheet ,Clear anodized
- Quick locks screw into the slide nuts plugged in front rail or rear rail
- With "V" drag
- Optional size of panel, also cut-outs in the panel available

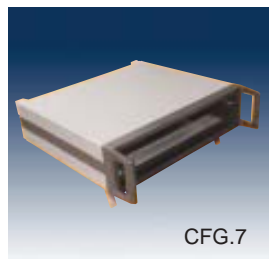
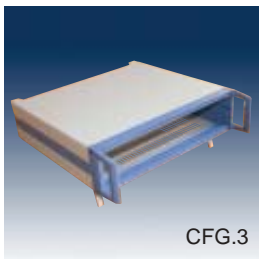
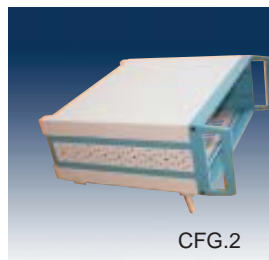
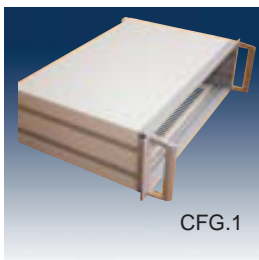


Front panel / Rear panel



- Material: 2mm aluminum sheet
- Clear anodized available

Colors configuration



CFG.	Front frame	Side plate	Covers
1	Mid-gray	Mid-gray	Gray-white
2	Green	Green	Gray-white
3	Blue	Blue	Gray-white
4	Thick-gray	Thick-gray	Gray-white
5	Champagne	Champagne	Gray-white
6	Black	Black	Gray-blue
7	Black	Black	Thick-gray
8	Black	Black	Black

- Note: 1. Front frame includes front horizontal rail and handle(or front trim).
 2. Top cover, bottom cover and side panel is the same color.
 3. You may provide us with the card of your desired color if specifying the non-standard colors.

How to order

Ordering the enclosures is very simple. You only need to give us the following information:

1. Model of the enclosure
2. Height of the enclosure
3. The inside width (in HP) of the enclosure (please specify the overall width(L) for the non-standard size)
4. The depth of your desired enclosure
5. The colors configuration of the enclosure
6. Optional accessories
7. Providing us with the drawing if you require secondary tooling or other cut-outs

Example: Model: 01A

Enclosure size: 3U × 42HP × 300mm

Colors: CFG.3

Accessories: 20 pieces of 210mm plastic card guide



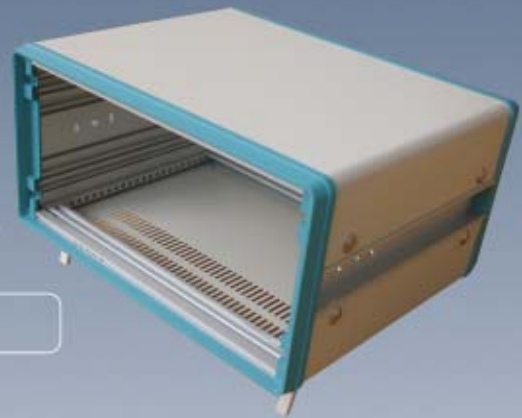
01C



01D



01I(7U)



01I



01K

Available size

Height/Width Chart of 01C,01D

Exterior size			Interior size		Panel size	Panel mounting size
Height of side plate	Overall height	Overall width	Inside Height	Inside Width		
HS(U)	H(mm)	L(mm)	h(mm)	l(mm)/(HP)	B(mm) × A(mm)	m(mm)
2	102	259	69.5	218/42	242 × 85	79.5
2	102	366	69.5	325/63	349 × 85	79.5
3	147	259	113	218/42	243 × 129	123
3	147	366	113	325/63	349.5 × 130	123
3	147	473	113	432/84	455.5 × 129	123
4	191	259	157	218/42	242.5 × 174	167
4	191	366	157	325/63	349.5 × 174	167
4	191	473	157	432/84	455.5 × 174	167
5	236	366	202	325/63	349.5 × 219	212
5	236	473	202	432/84	455.5 × 219	212
6	280	366	246	325/63	349.5 × 263	256
6	280	473	246	432/84	455.5 × 263	256
7	325	366	291	325/63	349.5 × 308	301
7	325	473	291	432/84	455.5 × 308	301

Depth Chart of 0C,01D

Overall Depth	T(mm)	180	240	300	320	360
Interior Depth	t(mm)	160	220	280	300	340

Note: 1U=44.45mm, 1HP=5.08mm

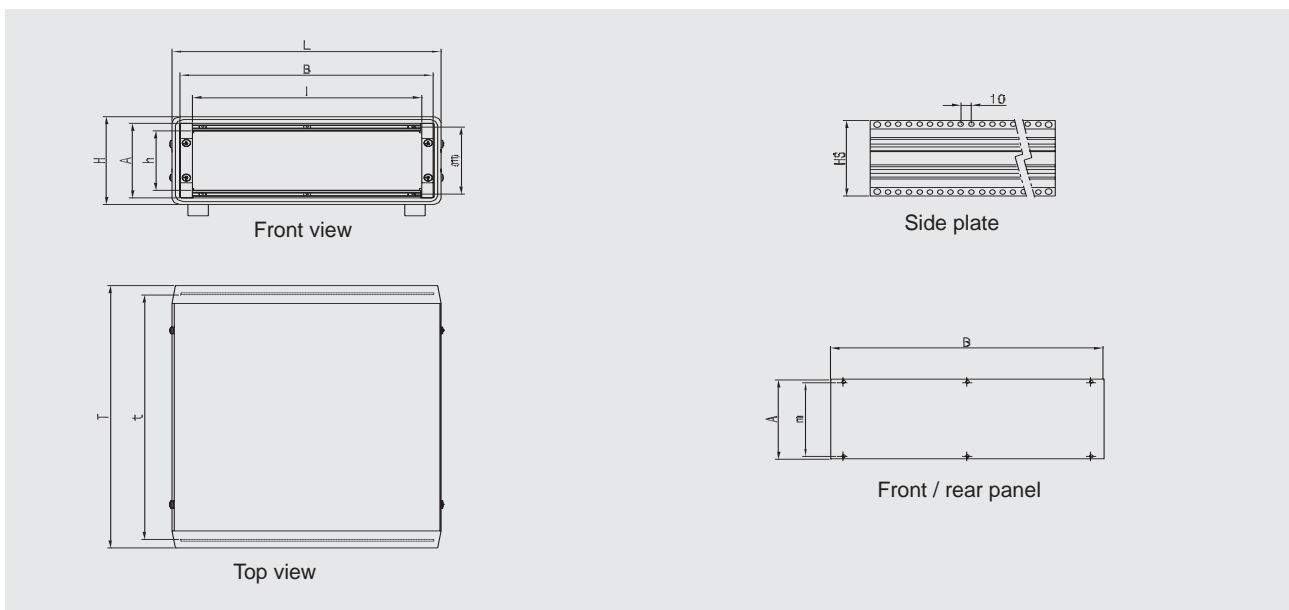
The dimensions shown in the table are only for reference (may exist ± 0.5mm dimensions variation)

Custom overall depth available upon request

The inside width is the same as the length of the horizontal rail

The front panel and the rear panel are interchangeable

Drawing



Height/Width Chart of 011,01K

Height of side plate	Exterior size		Interior size		Panel size		Panel mounting size
	Overall height	Overall width	Inside Height	Inside Width	Front panel	Rear panel (w/rear feet)	
HS	H(mm)	L(mm)	h(mm)	l(mm)/ (HP)	B(mm) × A(mm)	D(mm) × C(mm)	m/n(mm)
2U	102	259	68	218/42	241 × 85	201 × 85	79.5
2U	102	366	68	325/63	348 × 85	308 × 85	79.5
3U	147	259	113	218/42	242 × 129	202 × 129	123
3U	147	366	113	325/63	348.5 × 130	308.5 × 130	123
3U	147	473	113	432/84	454.5 × 129	414.5 × 129	123
4U	191	259	157	218/42	241.5 × 174	201.5 × 174	167
4U	191	366	157	325/63	348.5 × 174	308.5 × 174	167
4U	191	473	157	432/84	454.5 × 174	414.5 × 174	167
5U	236	366	202	325/63	348.5 × 219	308.5 × 219	212
5U	236	473	202	432/84	454.5 × 219	414.5 × 219	212
6U	280	366	246	325/63	348.5 × 263	308.5 × 263	256
6U	280	473	246	432/84	454.5 × 263	414.5 × 263	256
7U	325	366	291	325/63	348.5 × 308	308.5 × 308	301
7U	325	473	291	432/84	454.5 × 308	414.5 × 308	301

Depth Chart of 011,01K

Overall Depth	T(mm)	180	240	300	320	360
Interior Depth	t(mm)	160	220	280	300	340

Note: 1U=44.45mm, 1HP=5.08mm

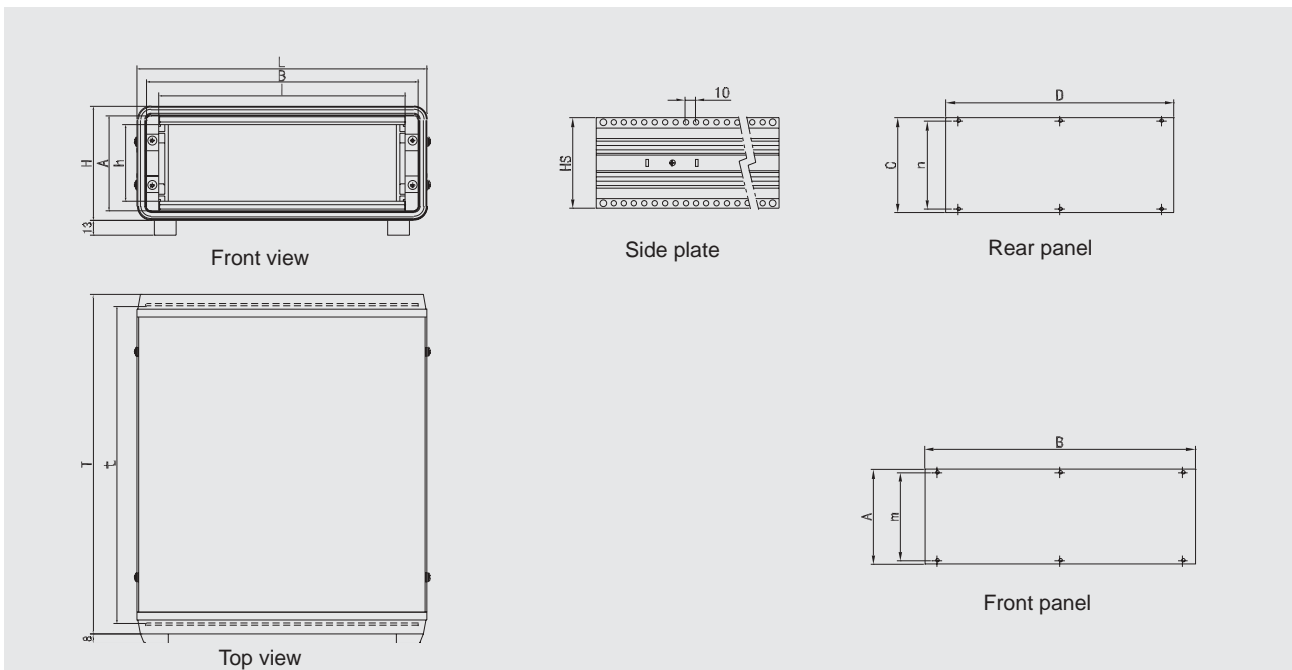
The dimensions shown in the table are only for reference (may exist ± 0.5mm dimensions variation)

Custom overall depth available upon request

The inside width is the same as the length of the horizontal rail

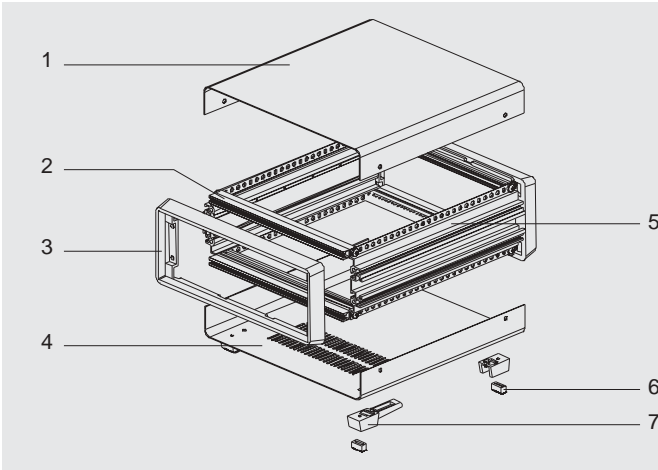
The front panel and the rear panel are interchangeable

Drawing



Standard delivery

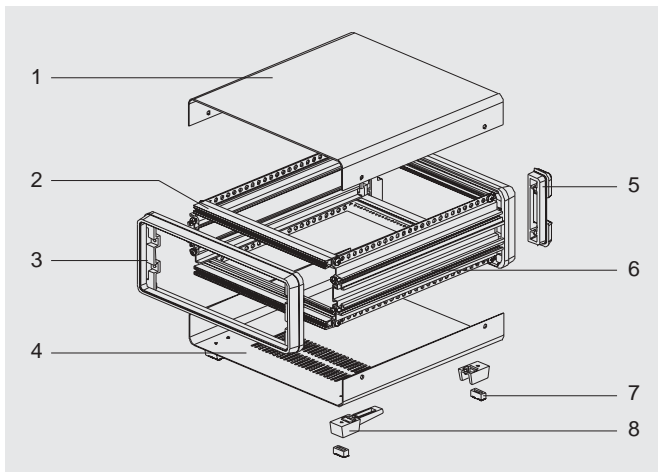
For 01C /01D



Note: 1.Front frame and rear frame are interchangeable
 2.With handle for 01D
 3.Including all kinds of necessary fasteners and slide-nuts and pre-inserted horizontal rail

ITEM	PART	QTY	DESCRIPTION
1	Top cover	1	1.2mm aluminium sheet,spary plastic
2	Horizontal rail	4	Aluminium extrusion,clear anodized, pre-punched holes for card guide
3	Frame	2	Die-cast aluminium,spary plastic,
4	Bottom cover	1	1.2mm aluminium sheet,spary plastic,with two arrays of vent holes
5	Side plate	2	Aluminium extrusion,clear anodized
6	Anti-slip insert	4	Moulded in rubber-plastic
7	Bottom feet	4	Moulded in PC,with 2 pieces of fold-out support feet

For 01I /01K

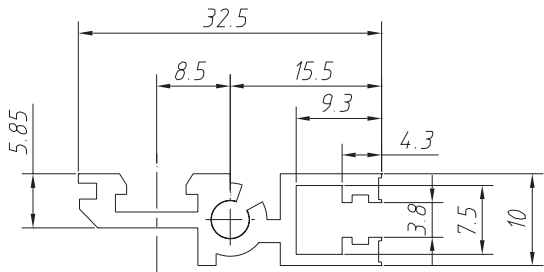


Note: 1.Front frame and rear frame are interchangeable
 2.With handle for 01K
 3.Including all kinds of necessary fasteners and slide-nuts and pre-inserted horizontal rail

ITEM	PART	QTY	DESCRIPTION
1	Top cover	1	1.2mm aluminium sheet,spary plastic
2	Horizontal rail	4	Aluminium extrusion,clear anodized, pre-punched holes for card guide
3	Frame	2	Die-cast aluminium,spary plastic
4	Bottom cover	1	1.2mm aluminium sheet,spary plastic,with two array of vent holes
5	Rear feet	2	Die-cast aluminium,spary plastic
6	Side plate	2	Aluminium extrusion,clear anodized
7	Anti-slip insert	4	Moulded in rubber-plastic
8	Bottom feet	4	Moulded in PC,with 2 pieces of fold-out support feet

Standard parts

Horizontal rail

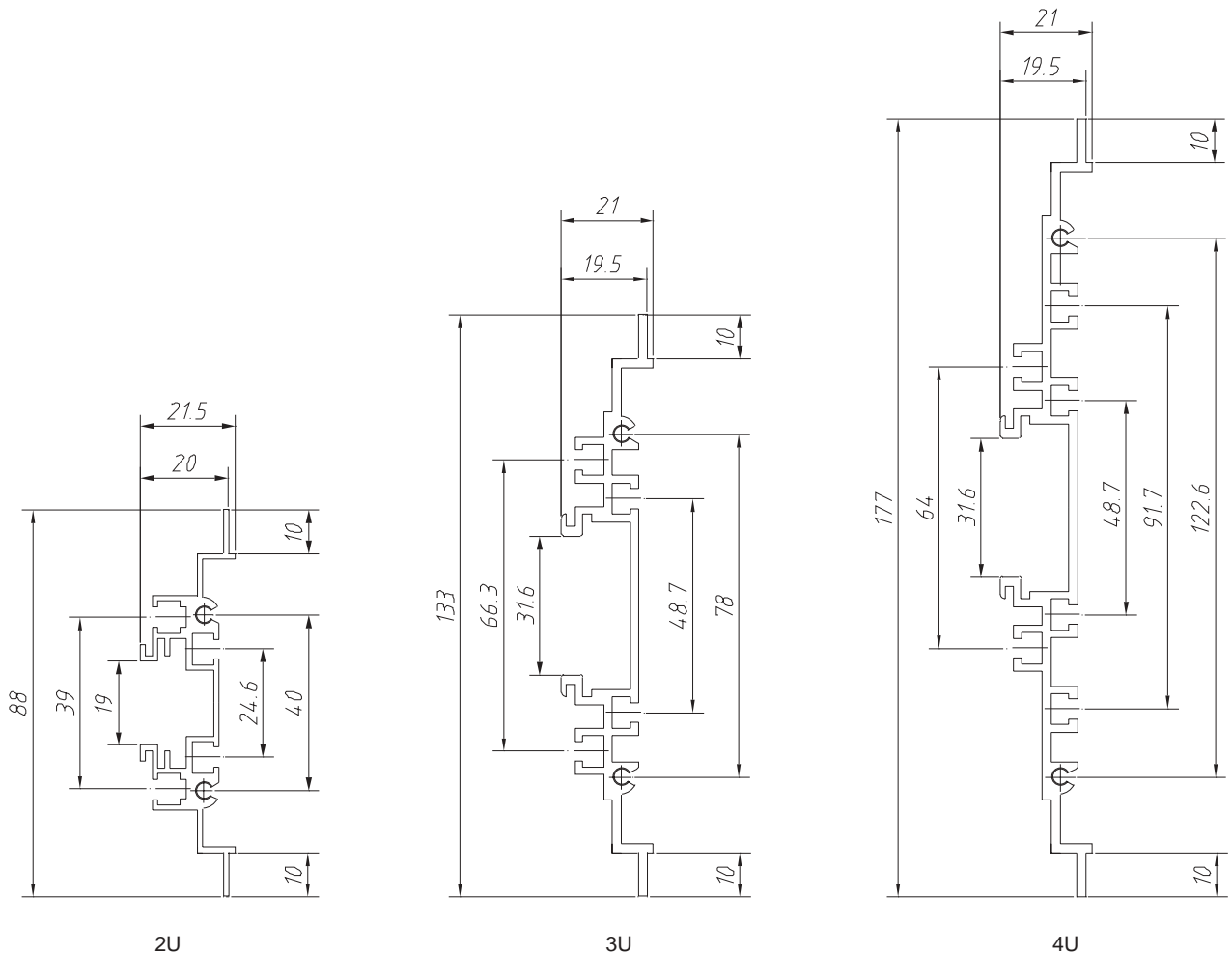


- Material: Aluminum extrusion
- Spary plastic
- Pre-punched holes of 5.08mm space for card guide

Length table			
HP	42	63	84
Length(mm)	218	325	432

Side plate

- Material: Aluminum extrusion
- Clear anodized
- Pre-punched holes of 10mm space for mounting side mounting plate or additional horizontal rail

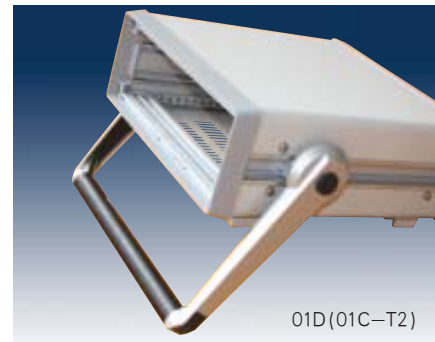
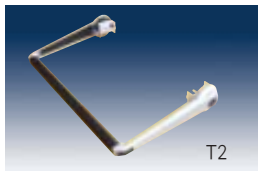
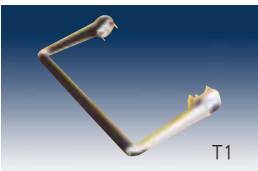


Frame



- Material: Die-cast aluminum
- Spary plastic
- The front and the rear frame are interchangeable

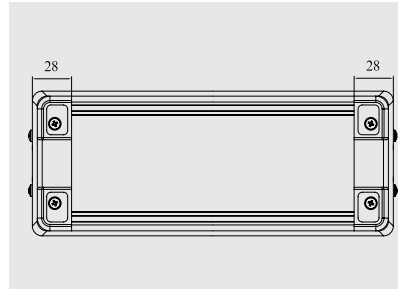
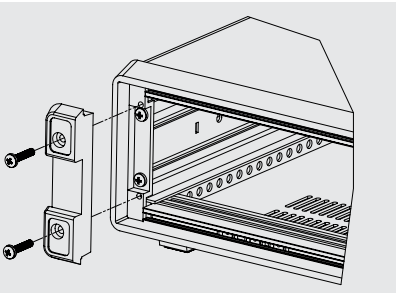
Handle



- Choice of three styles of T1,T2 and T6
- Variable width of handle
- As one of standard parts of 01D
- Be sure to specify the style of the handle such as 01D(T2) or 01C-T6

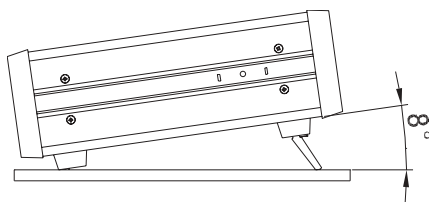
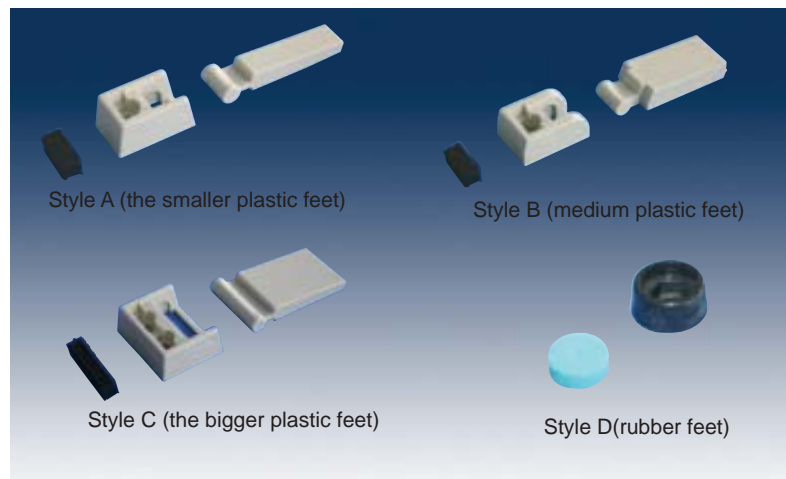


Rear feet



- Material: Die-cast aluminum
- Spary plastic
- Size of rear panel will change if rear feet are mounted
- Suitable for 01I and 01K only

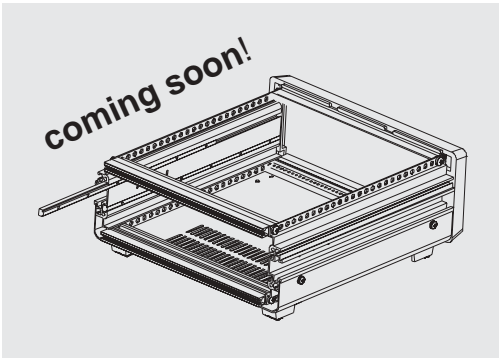
Bottom feet



- Material: PC / ABS
- Choices of four style
- Style A as standard version

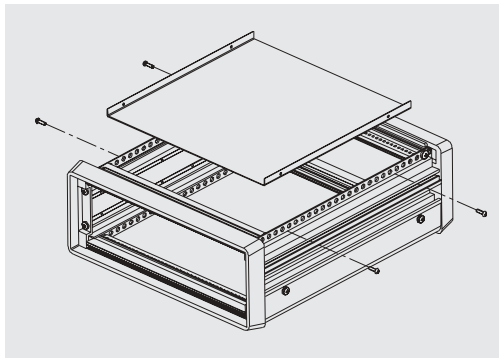
Standard parts

Vertical threaded strip

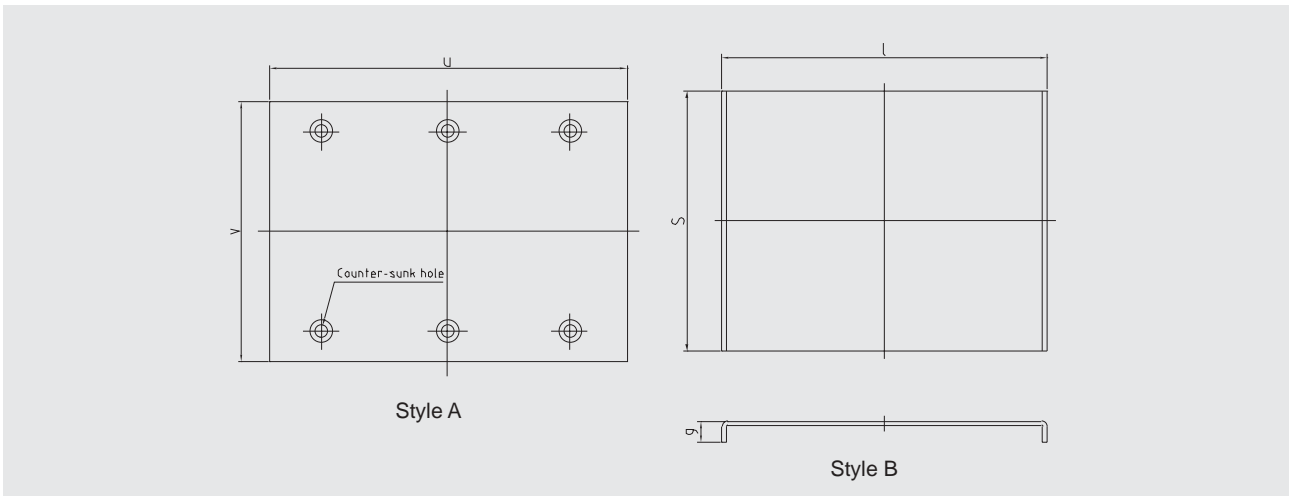


- Material: Aluminum extrusion
- Clear anodized
- Threaded holes for installation of PCB

Bottom mounting plate



- Material: 1.5mm or 2mm Aluminum sheet
- Choices of two style (style A and style B)
- Fixing onto front rail and rear rail for style A
- Fixing onto two side plate for style B



Dimensions chart

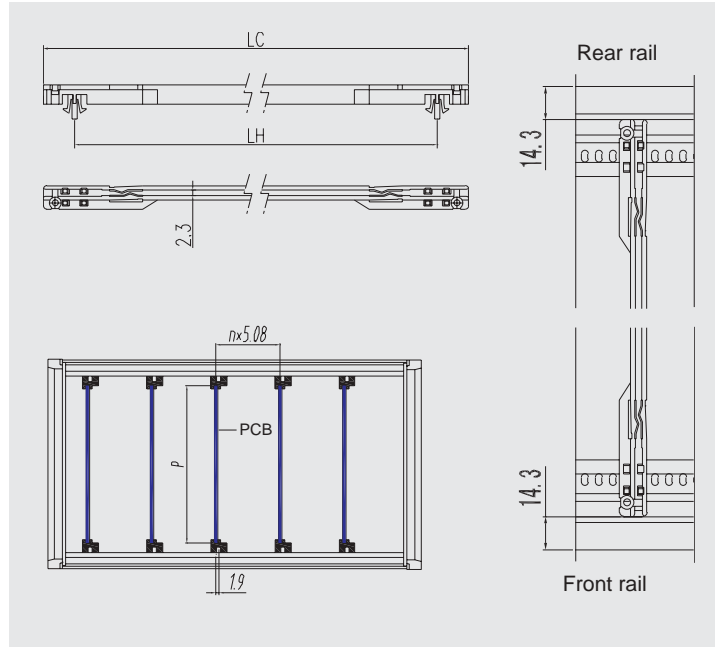
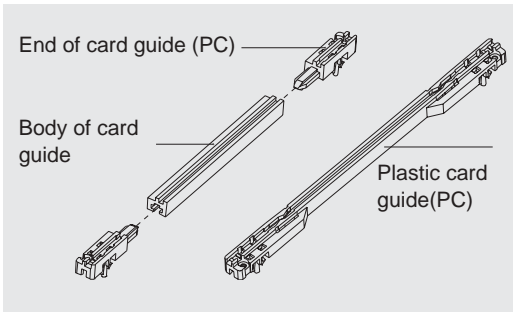
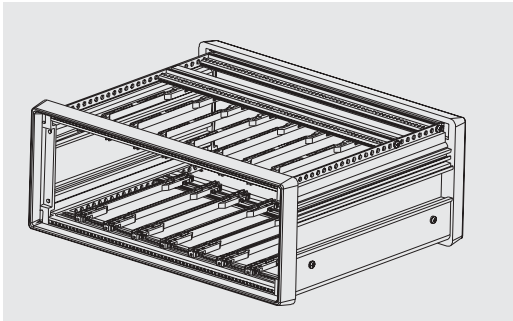
Chart 1 (For style A) $u(\text{mm}) \times v(\text{mm})$

Width T	42HP	63HP	84HP
180mm	214.5 × 157	321.5 × 157	428.5 × 157
240mm	214.5 × 217	321.5 × 217	428.5 × 217
300mm	214.5 × 277	321.5 × 277	428.5 × 277
320mm	214.5 × 297	321.5 × 297	428.5 × 297
360mm	214.5 × 337	321.5 × 337	428.5 × 337

Chart 2 (For style B) $l(\text{mm}) \times s(\text{mm})$

Width T	42HP	63HP	84HP
180mm	218 × 92	325 × 92	432 × 92
240mm	218 × 152	325 × 152	432 × 152
300mm	218 × 212	325 × 212	432 × 212
320mm	218 × 232	325 × 232	432 × 232
360mm	218 × 272	325 × 272	432 × 272

Card guide



Length of plastic card guide

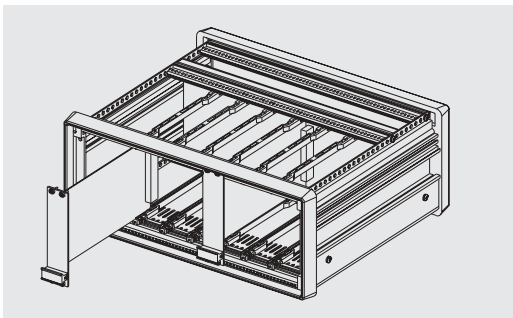
LC(mm)	143	210
LH(mm)	123	183

Height of PCB

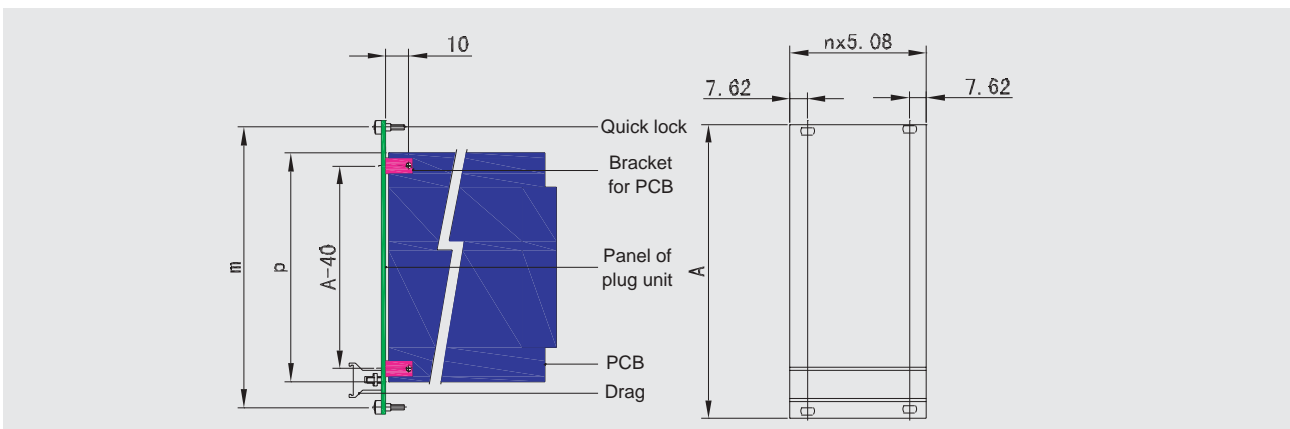
H	2U	3U	4U
P(mm)	57	101	145

- Choice of two styles of card guides (plastic or aluminum extrusion)
- Moulded in PC for plastic card guide
- Optional length for aluminum extrusions card guide
- Suitable for 1.6mm to 2.0mm nominal thickness
- Custom colors available

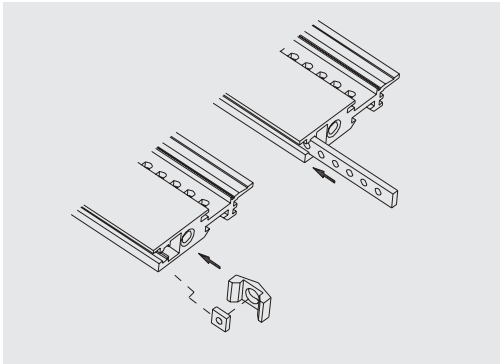
Panel of plug-in unit



- Material :2mm aluminum sheet ,clear anodized
- Quick locks screw into the slide nuts plugged in front rail or rear rail
- With "V" drag
- Optional size of panel, also cut-outs in the panel available

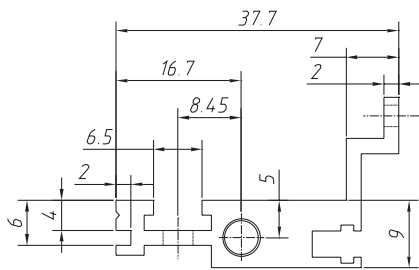


Slide nut / threaded strip

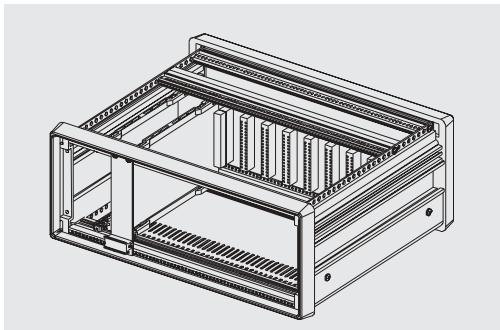


- Material: Stainless steel for threaded strip
- With threaded holes of 5.08mm space
- Slide nuts as standard delivery
- For mounting panels

Mid-extrusion

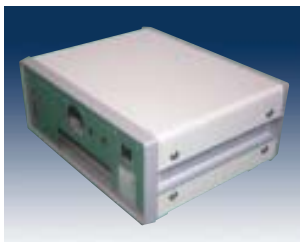


- Material: Aluminum extrusion
- Clear anodized
- With or without pre-punched holes for card guide available
- suitable for installation of backplanes



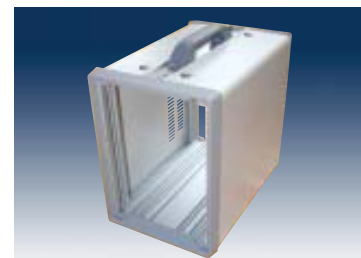
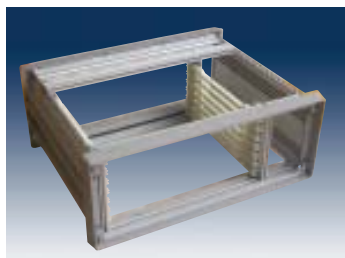
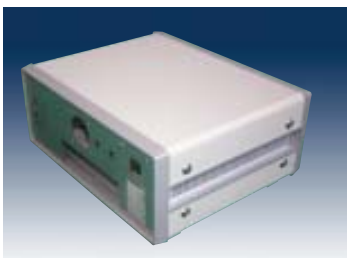
Length table			
HP	42	63	84
Length(mm)	218	325	432

Panel



- Material: 2mm Aluminum sheet
- Clear anodized available

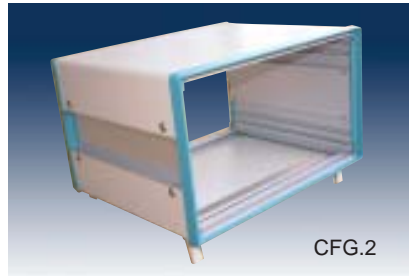
Customization case



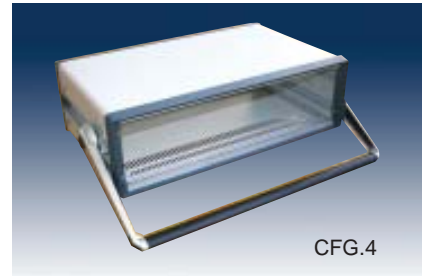
Colors configuration



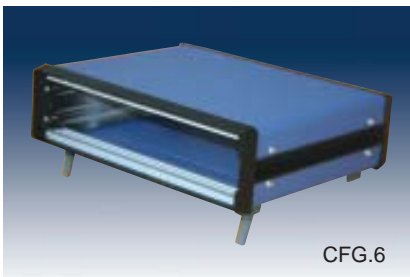
CFG.1



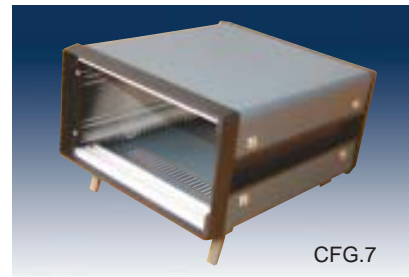
CFG.2



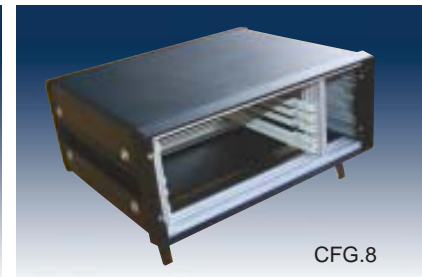
CFG.4



CFG.6



CFG.7



CFG.8

CFG.	Front frame	Side plate	Covers
1	Mid-gray	Clear-anodized	Gray-white
2	Green	Clear-anodized	Gray-white
3	Blue	Clear-anodized	Gray-white
4	Thick-gray	Clear-anodized	Gray-white
5	Champagne	Clear-anodized	Gray-white
6	Black	Black	Gray-blue
7	Black	Black	Thick-gray
8	Black	Black	Black

Note:

You may provide us with the card of your desired color if specifying the nonstandard colors.

How to order

Ordering the enclosures is very simple. You only need to tell us the following:

1. Model of the enclosure
2. Height of the side plate of the enclosure
3. The inside width (in HP) of the enclosure
4. The depth of your desired enclosure
5. Model of the handle of the enclosure for 01D
5. The colors configuration of the enclosure
6. Optional accessories
7. Providing us with the drawing if you require secondary tooling or other cut-outs

Example: Model: 01D

Enclosure size: 3U × 42HP × 300mm

Handle: T1

Colors: CFG.3

Accessories: 20 pieces of 210mm plastic card guide



DESKTOP SYSTEM II



01E



01F

Available size

Height/Width Chart of 01E ,01F

Exterior size		Interior size		Panel size		Panel mounting size	
Overall Height	Overall width	Inside Height	Inside Width	Front panel blank size	Rear panel blank size	Front panel	Rear panel
H(U)	L(mm)	h(mm)	l(mm)/(HP)	B(mm) × A(mm)	D(mm) × C(mm)	m(mm)	n(mm)
2	235	69	218/42	213 × 85	212 × 86	79	78
2	342	69	325/63	320 × 85	319 × 86	79	78
2	449	69	432/84	427 × 85	426 × 86	79	78
3	235	113.5	218/42	213 × 130	212 × 131	123.5	124
3	342	113.5	325/63	320 × 130	319 × 131	123.5	124
3	449	113.5	432/84	427 × 130	426 × 131	123.5	124
4	235	157.5	218/42	213 × 174	212 × 175	167.5	168
4	342	157.5	325/63	320 × 174	319 × 175	167.5	168
4	449	157.5	432/84	427 × 174	426 × 175	167.5	168
5	342	202.5	325/63	320 × 219	319 × 220	212.5	212.5
5	449	202.5	432/84	427 × 219	426 × 220	212.5	212.5

Depth Chart of 01E,01F

Overall Depth	T(mm)	180	240	300	320	360
Interior Depth	t(mm)	172	232	292	312	352

Note: 1U=44.45mm, 1HP=5.08mm

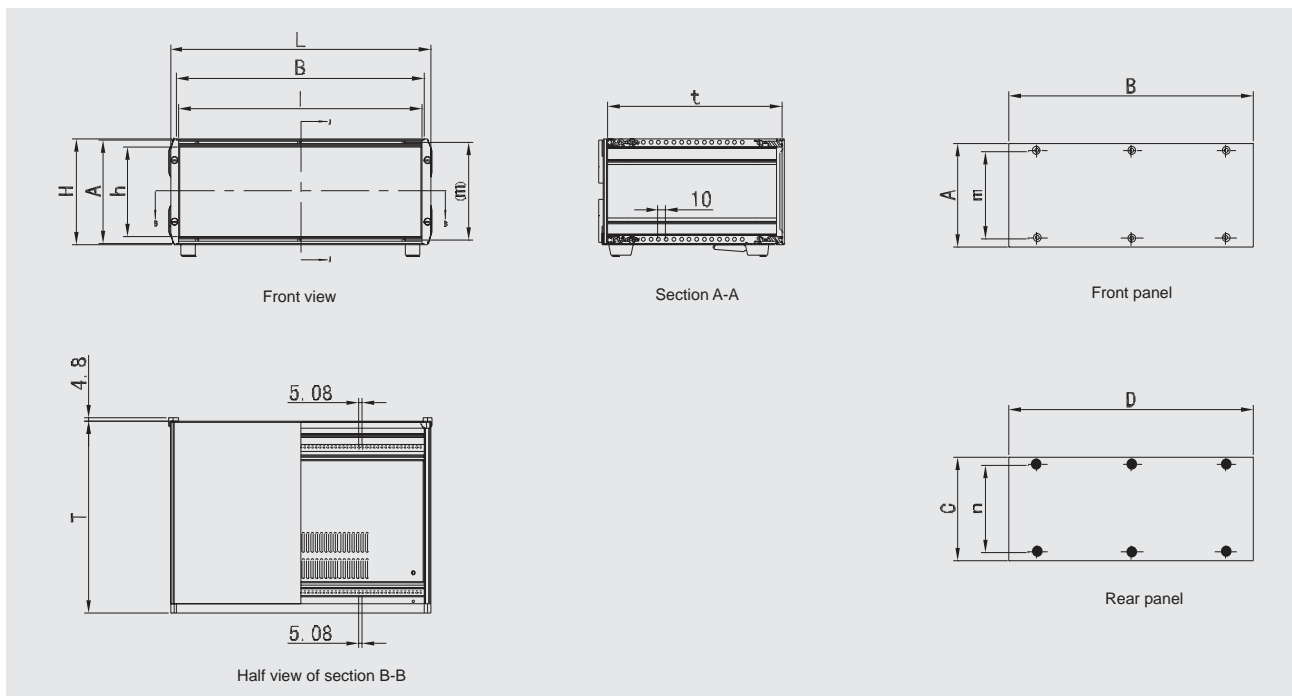
The dimensions shown in the table are only for reference (may exist ±0.5mm dimensions variation)

Custom overall depth, overall height and overall width available upon request

The inside width is the same as the length of the horizontal rail

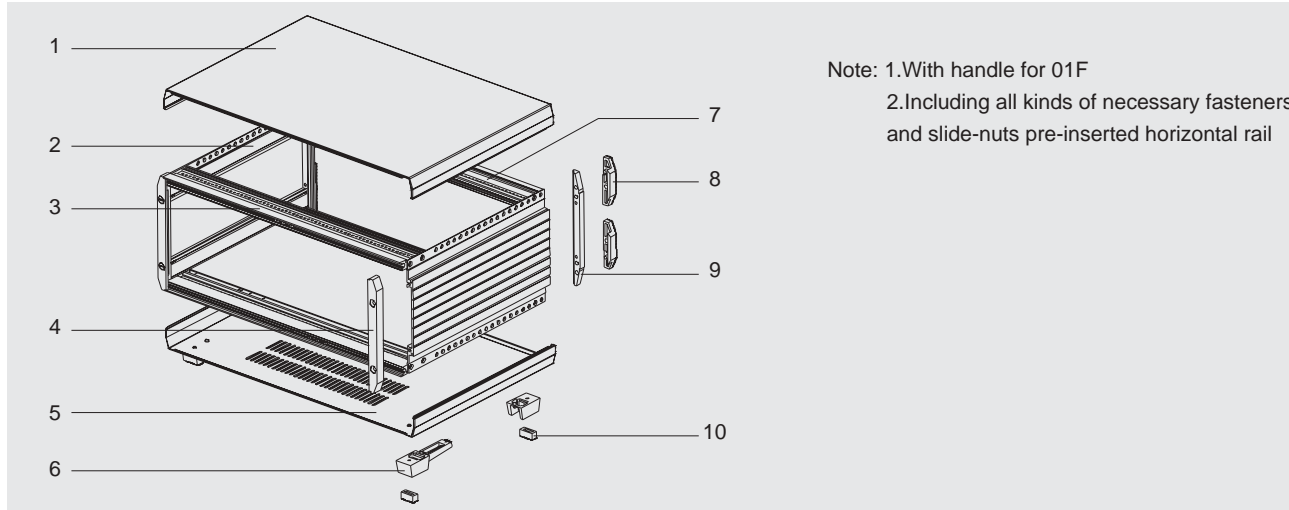
Refer to the following drawing for the definition of enclosure size

Drawing



Standard delivery

For 01E /01F

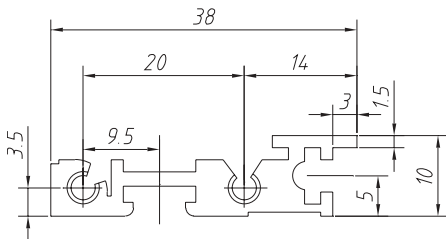


Note: 1.With handle for 01F
2.Including all kinds of necessary fasteners and slide-nuts pre-inserted horizontal rail

ITEM	PART	QTY	DESCRIPTION
1	Top cover	1	1mm aluminium sheet,spary plastic
2	Side plate	2	Aluminium extrusion,spary plastic,pre-punched holes for additional horizontal extrusion
3	Front rail	2	Aluminium extrusion,clear anodized, pre-punched holes for card guide
4	Front trim	2	Aluminium extrusion,spary plastic
5	Bottom cover	1	1mm aluminium sheet,spary plastic,with vent holes for standard delivery
6	Bottom feet	4	Moulded in PC, with 2 pieces of fold-out support feet
7	Rear rail	2	Aluminium extrusion,clear anodized, pre-punched holes for card guide
8	Rear feet	4	Moulded in PC or ABS,choice of four styles
9	Rear trim	2	Aluminium extrusion,spary plastic
10	Anti-slip insert	4	Moulded in rubber-plastic

Standard parts

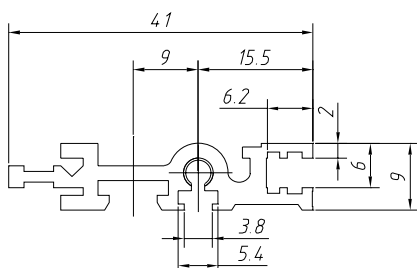
Front rail



- Material: Aluminum extrusion
- Spary plastic
- pre-punched holes of 5.08mm space for card guide

Length table			
HP	42	63	84
Length(mm)	218	325	432

Rear rail

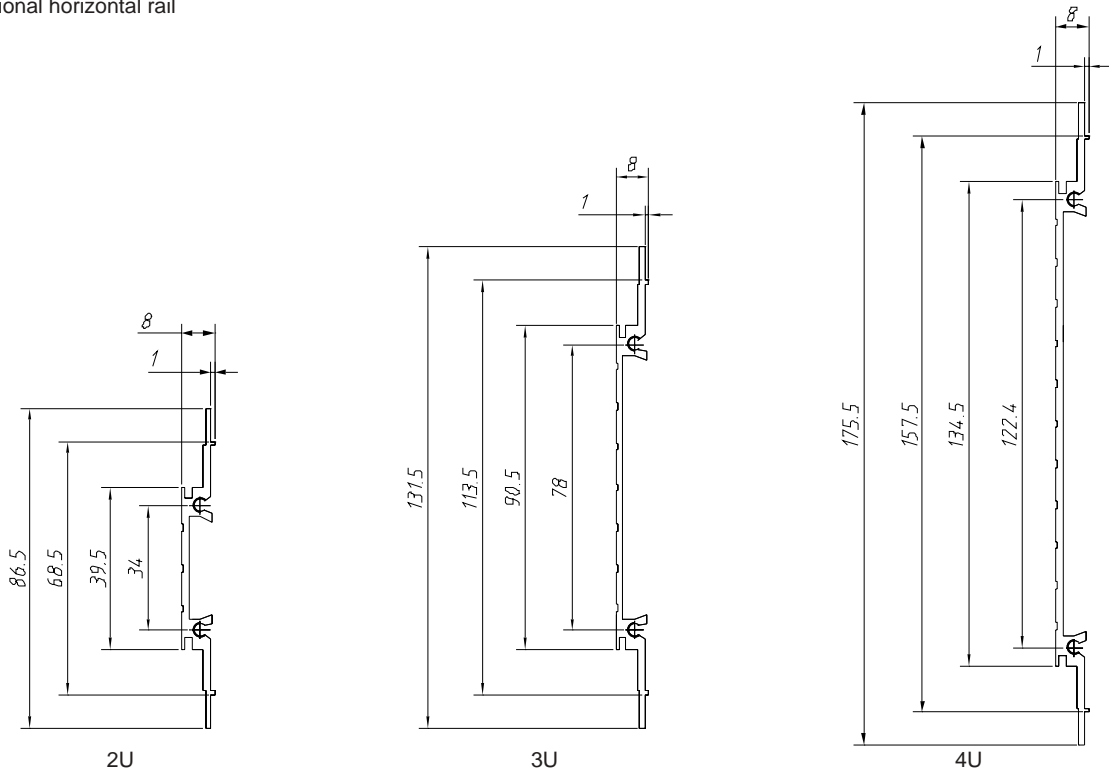


- Material: Aluminum extrusion
- Spary plastic
- pre-punched holes of 5.08mm space for card guide

Length table			
for HP	42	63	84
Length(mm)	218	325	432

Side plate

- Material: Aluminum extrusion
- Spary plastic
- Pre-punched holes of 10mm space for mounting side mounting plate or additional horizontal rail

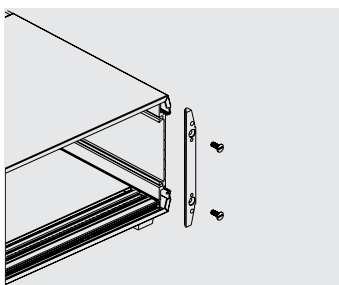


Front trim



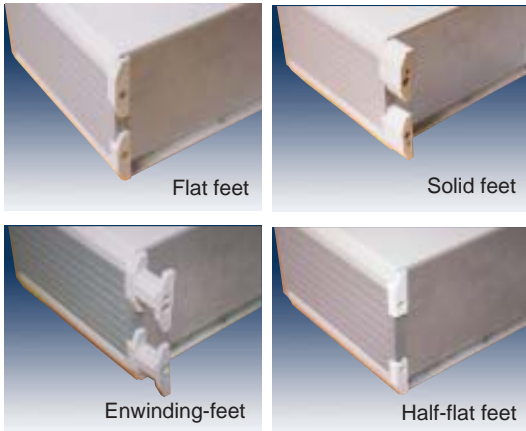
- Material: Aluminum extrusion
- Spary plastic

Rear trim



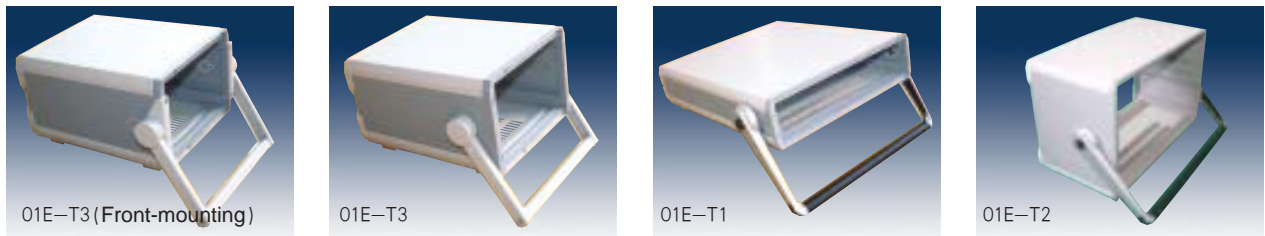
- Material: Aluminum extrusion
- Spary plastic

Rear feet



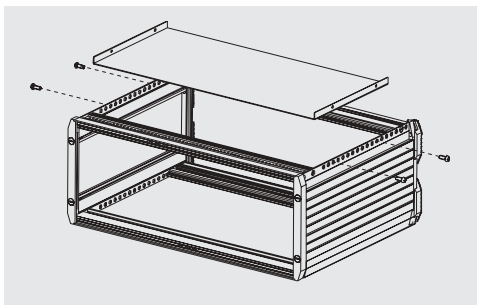
- Moulded in PC or ABS
- Choice of four styles (flat feet, solid feet, enwinding feet and half-flat feet)
- Half-flat feet available only for enclosure of 2U height

Handle

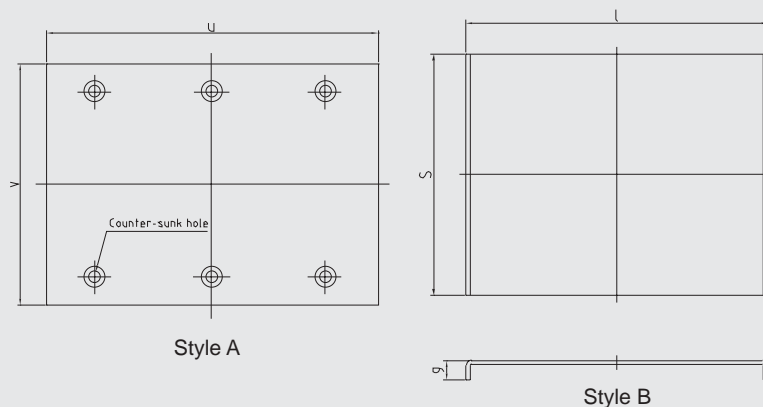


Optional accessories

Bottom mounting plate



- Material: 1.5mm or 2mm Aluminum sheet
- Choice of two styles (style A and style B)
- Fixing onto front rail and rear rail for style A
- Fixing onto two side plate for style B



Dimensions chart

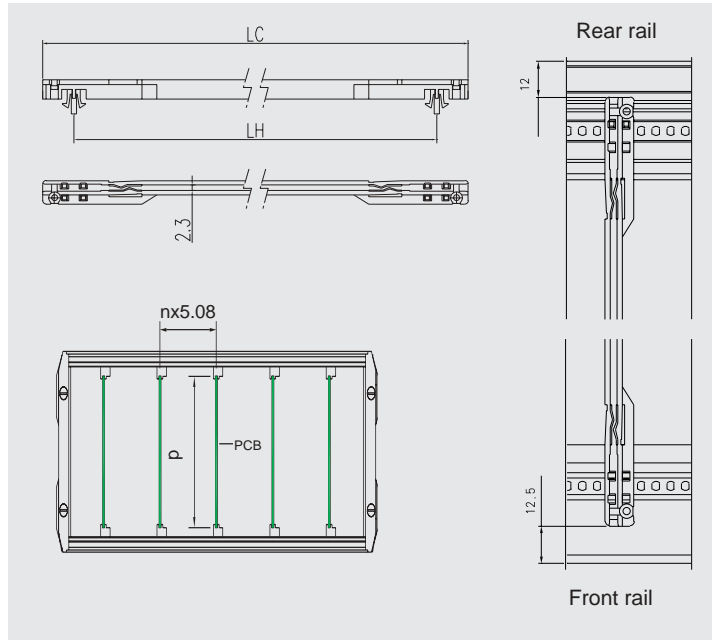
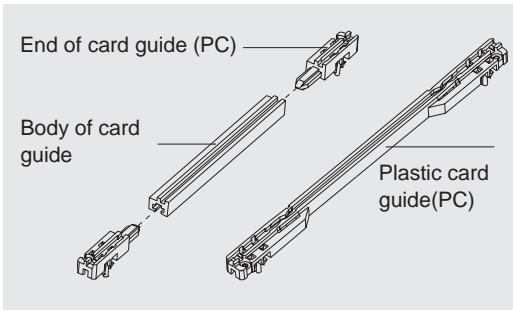
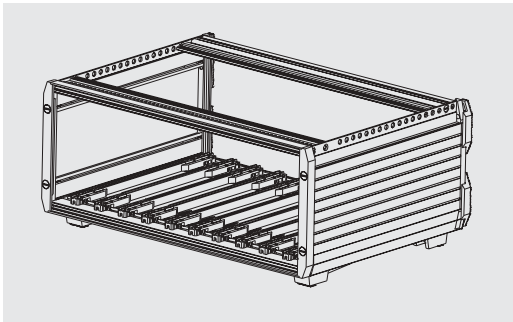
Chart 1 (For style A) u(mm) × v(mm)

Width T	42HP	63HP	84HP
180mm	214.5 × 168	321.5 × 168	428.5 × 168
240mm	214.5 × 228	321.5 × 228	428.5 × 228
300mm	214.5 × 288	321.5 × 288	428.5 × 288
320mm	214.5 × 308	321.5 × 308	428.5 × 308
360mm	214.5 × 348	321.5 × 348	428.5 × 348

Chart 2 (For style B) l(mm) × s(mm)

Width T	42HP	63HP	84HP
180mm	218 × 93	325 × 93	432 × 93
240mm	218 × 153	325 × 153	432 × 153
300mm	218 × 213	325 × 213	432 × 213
320mm	218 × 233	325 × 233	432 × 233
360mm	218 × 273	325 × 273	432 × 273

Card guide



Length of plastic card guide

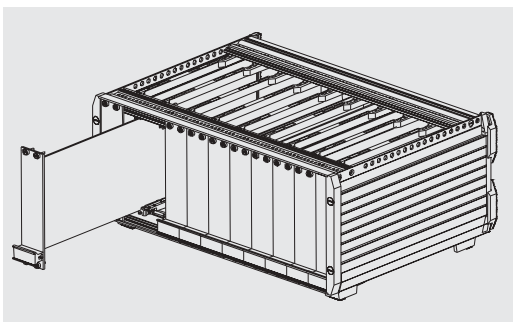
LC(mm)	143	210
LH(mm)	123	183

Height of PCB

H	2U	3U	4U
P(mm)	57	101	145

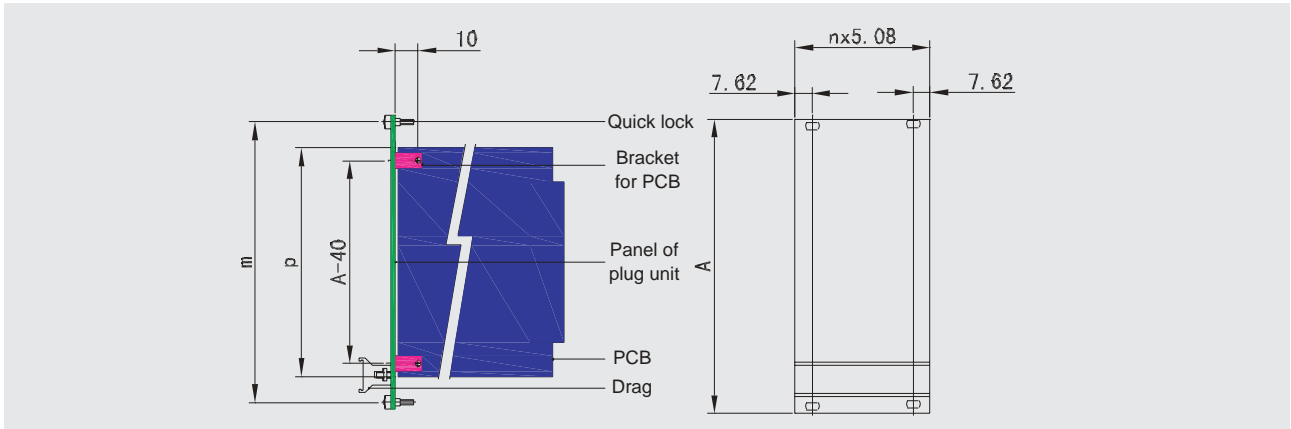
- Choice of two styles of card guide (plastic or aluminum extrusion) moulded in PC for plastic card guide
- Optional length for aluminum extrusions card guide
- Suitable for 1.6mm to 2.0mm nominal thickness
- Custom colors available

Panel of plug-in unit

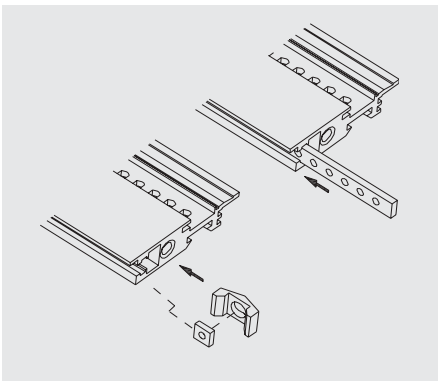


- Material :2mm aluminum sheet, clear anodized
- Quick locks screw into the slide nuts plugged in front rail or rear rail
- With "V" drag
- Optional size of panel, also cut-outs in the panel available on request
- The dimensions below, in A-40, show the fixing points for PCB's vertical space

01 Instrument case system I



Slide nut / threaded strip



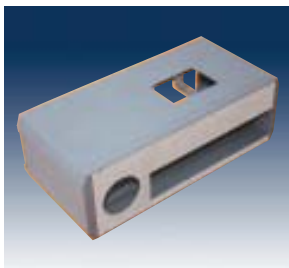
- Material: Stainless steel for threaded strip
- With threaded holes of 5.08mm space for threaded strip
- Slide nuts as standard delivery
- For mounting panels

Panel

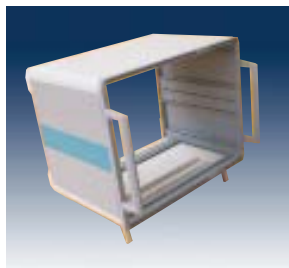


- Material: 2mm Aluminum sheet
- Clear anodized or spary plastic available

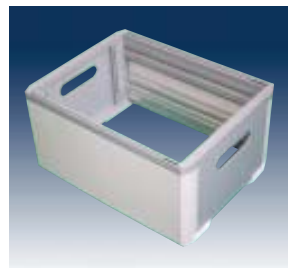
Customization



Cut-outs in the top cover



Mounting handles on the front trim

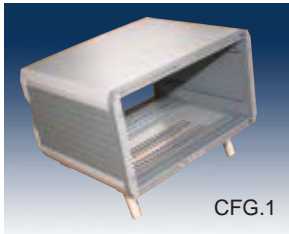


Cut-outs or special vent holes in the side plate

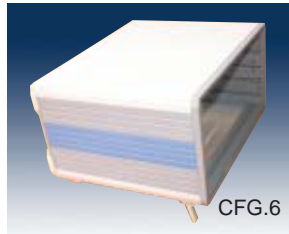


Cut-outs in the front and rear panel

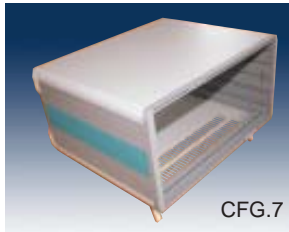
Colors configuration



CFG.1



CFG.6



CFG.7

CFG.	Front frame	Side plate	Covers
1	Mid-gray	Mid-gray	Gray-white
2	Green	Green	Gray-white
3	Blue	Blue	Gray-white
4	Thick-gray	Thick-gray	Gray-white
5	Champagne	Champagne	Gray-white
6	Mid-gray	Blue	Gray-white
7	Mid-gray	Green	Gray-white

Note:

1. Front frame includes front horizontal rail and front trim
2. Top cover, bottom cover and side panel are the same color.
3. You may provide us with the card of your desired color if specifying the non-standard colors.

How to order

Ordering the enclosures is very simple. You only need to tell us the following:

1. Model of the enclosure
2. Height of the side plate of the enclosure
3. The inside width of the enclosure
4. The depth of your desired enclosure
5. Model of the handle of the enclosure for 01F
6. The colors configuration of the enclosure
7. Optional accessories
8. Providing us with the drawing if you require secondary tooling or other cut-outs

Example: Model: 01F

Enclosure size: 3U × 42HP × 300mm

Handle: T1

Colors: CFG.3

Accessories: 20 pieces of 210mm plastic card guide



SUBRACK SYSTEM



01G-2



01G-2



01G-2(7U)



01G-5

Available size

Height/Width Chart of 01G-2

Exterior size			Interior size		Panel size	Panel mounting size
Overall height	Case width	Overall width	Inside Height	Inside Width		
H	W(mm)	L	h(mm)	l(mm)	B(mm) × A(mm)	m(mm)
2U	448	19"	68	432	426.8 × 85.5	78
3U	448	19"	113	432	426.8 × 130.5	123
4U	448	19"	157	432	426.8 × 174.5	167
5U	448	19"	202	432	426.8 × 219.5	212
6U	448	19"	246	432	426.8 × 263.5	256
7U	448	19"	291	432	426.8 × 308.5	301
8U	448	19"	335	432	426.8 × 352.5	345
9U	448	19"	380	432	426.8 × 397.5	390

Depth Chart of 01G-2

Overall Depth	T(mm)	180	240	300	320	360
Interior Depth	t(mm)	174	234	294	314	354

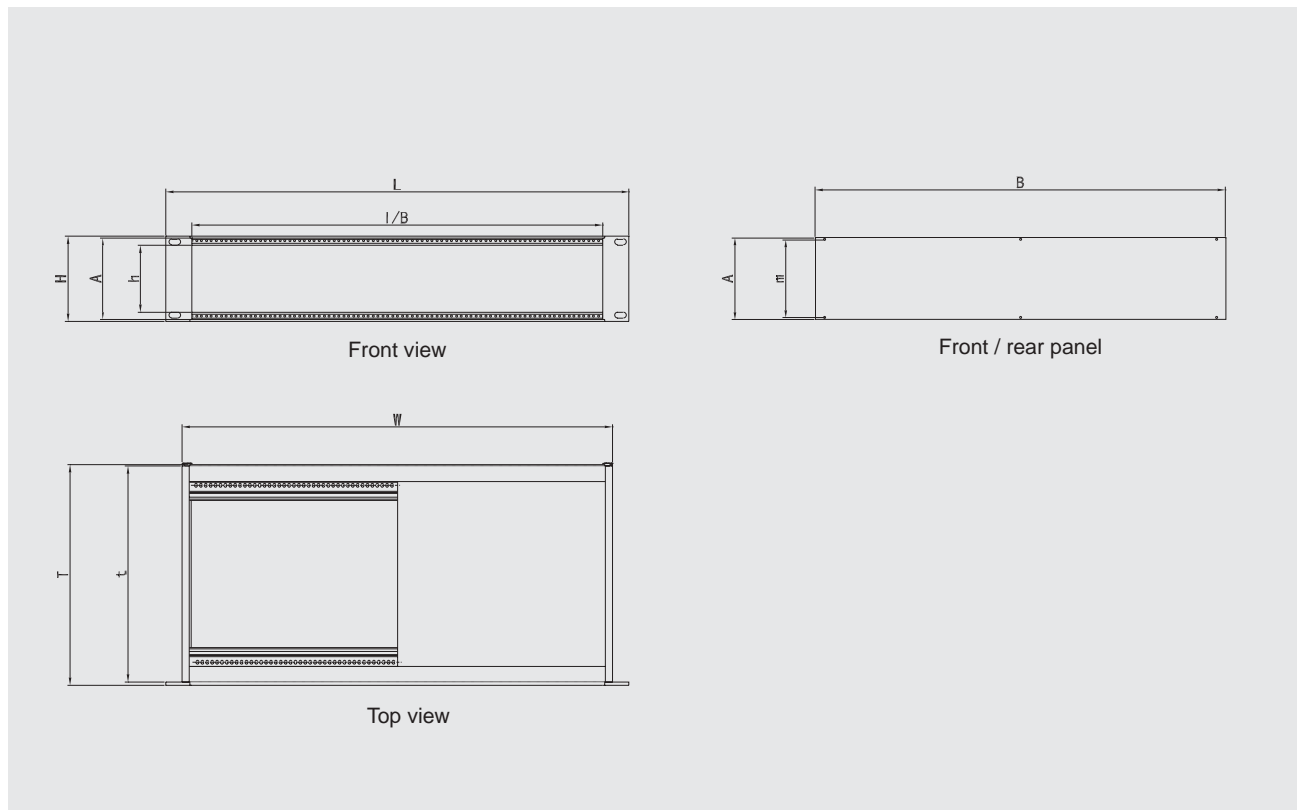
Note: Custom overall depth and overall height available upon request

The dimensions shown in the table are only for reference (may exist ± 0.5mm dimensions variation)

The inside width is the same as the length of the horizontal rail

Refer to the following drawing for the definition of enclosure size

Drawing



Height/Width Chart of 01G-5

Exterior size				Interior size		Panel size
Overall height	Case height	Case width	Overall width	Inside Height	Inside Width	
H	H1	W(mm)	L	h(mm)	l(mm)	B(mm) × A(mm)
2U	65	448	19"	38	432	426.8 × 62
3U	110	448	19"	83	432	426.8 × 107
4U	154	448	19"	127	432	426.8 × 151
5U	199	448	19"	172	432	426.8 × 196
6U	243	448	19"	216	432	426.8 × 240
7U	288	448	19"	261	432	426.8 × 285
8U	332	448	19"	305	432	426.8 × 329
9U	377	448	19"	350	432	426.8 × 374

Depth Chart of 01G-5

Overall Depth	T(mm)	180	240	300	320	360
Interior Depth	t(mm)	174	234	294	314	354

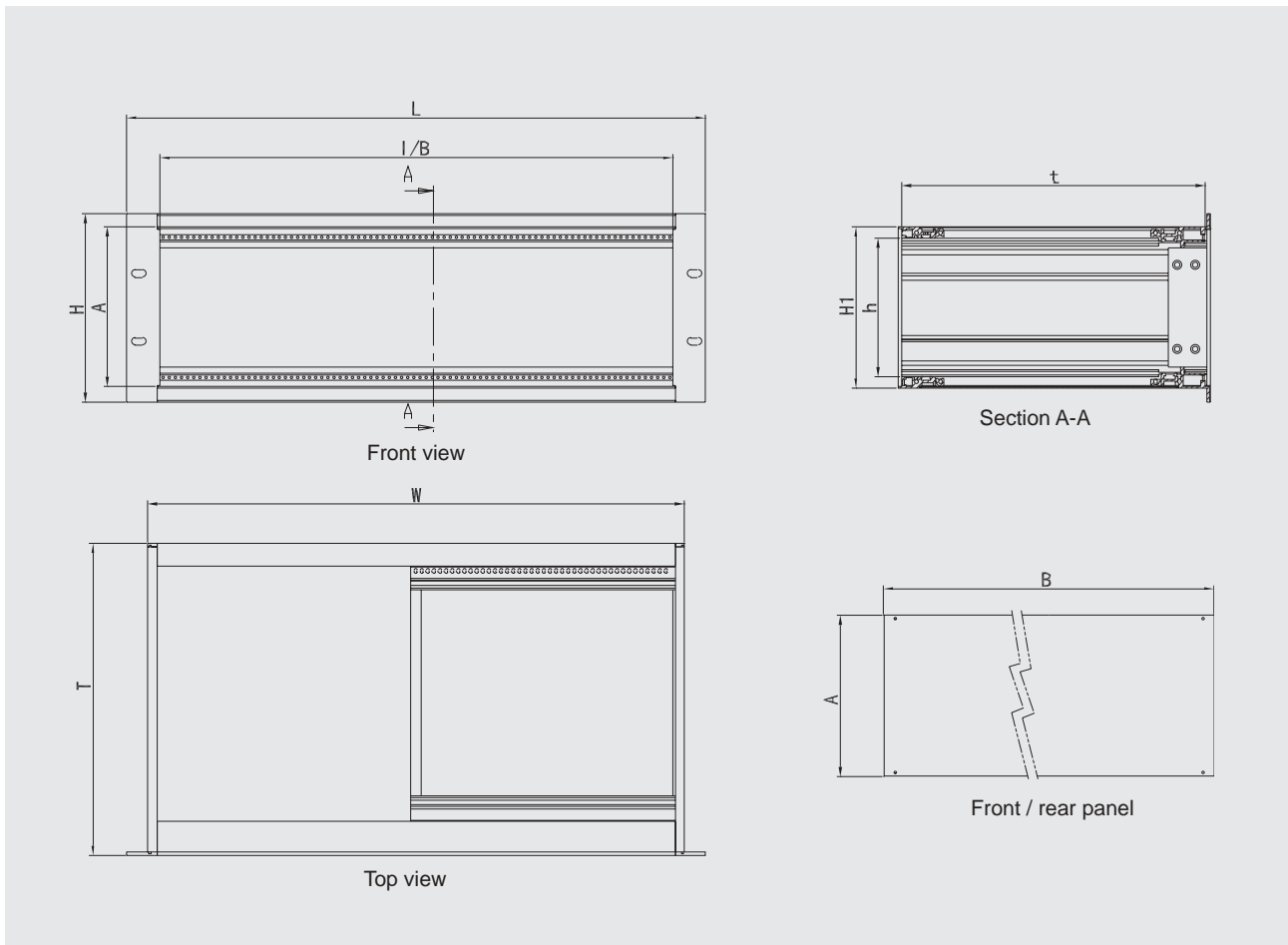
Note: Custom overall depth and overall height available upon request

The dimensions shown in the table are only for reference (may exist ± 0.5mm dimensions variation)

The inside width is the same as the length of the horizontal rail

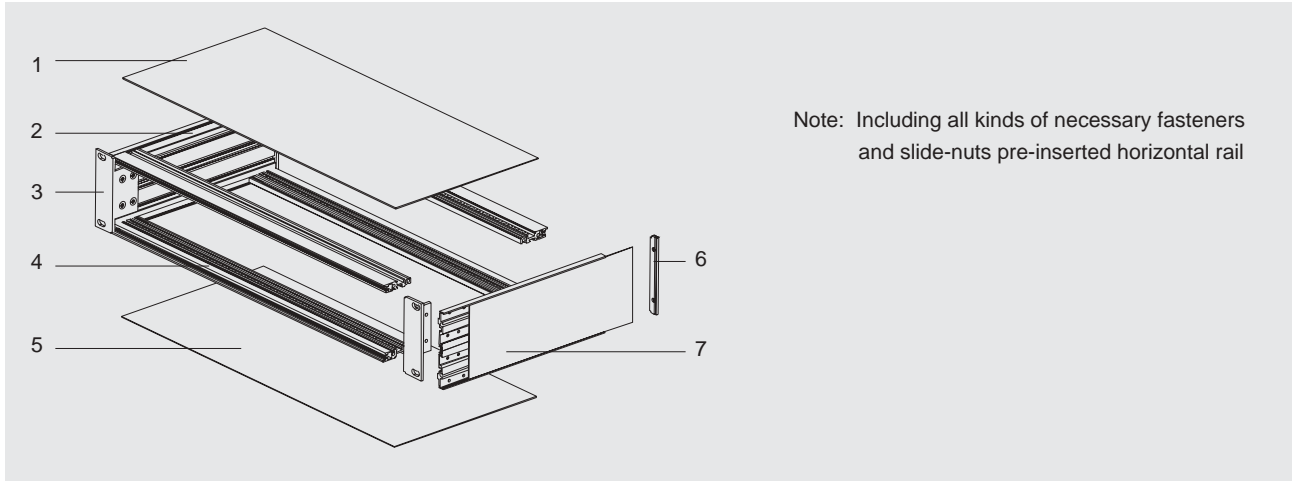
Refer to the following drawing for the definition of enclosure size

Drawing



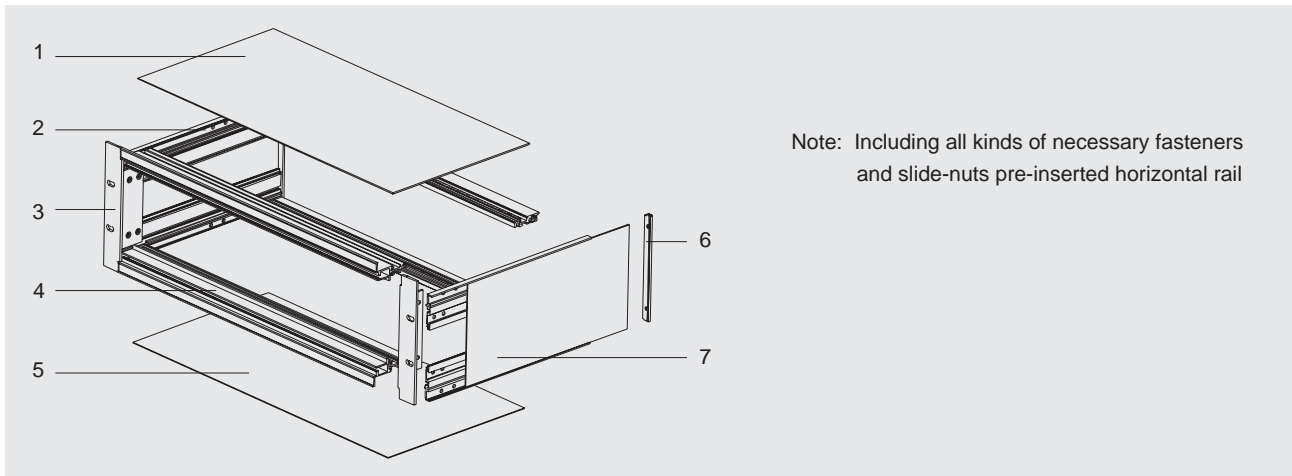
Standard delivery

For 01G-2



ITEM	PART	QTY	DESCRIPTION
1	Bottom cover	1	1mm aluminium sheet, brushed and clear anodized
2	Side rail	4	Aluminium extrusion,clear anodized
3	Rackmount trim	2	Aluminium extrusion,clear anodized
4	Horizontal rail	4	Aluminium extrusion,clear anodized, pre-punched holes for card guide
5	Bottom cover	1	1mm aluminium sheet, brushed and clear anodized,two styles of sealed and vent-cover
6	Rear trim	2	Aluminium extrusion,clear anodized
7	Side panel	2	1mm aluminium sheet, brushed and clear anodized

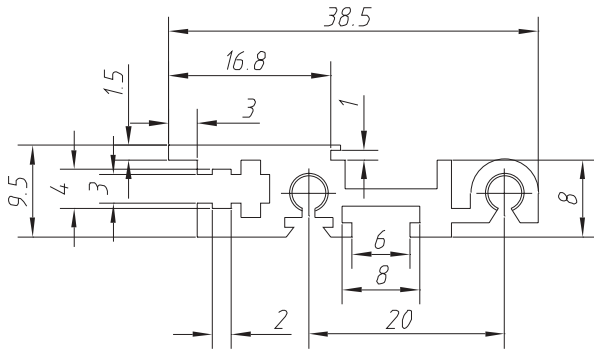
For 01G-5



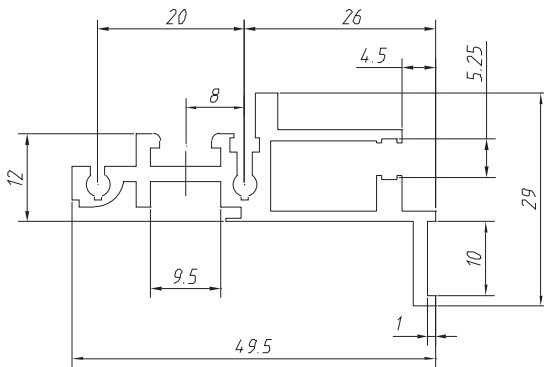
ITEM	PART	QTY	DESCRIPTION
1	Bottom cover	1	1mm Aluminium sheet, brushed and clear anodized
2	Side rail	4	Aluminium extrusion,clear anodized
3	Rackmount trim	2	Aluminium extrusion,clear anodized
4	Horizontal rail	4	Aluminium extrusion,clear anodized, pre-punched holes for card guide
5	Bottom cover	1	1mm Aluminium sheet, brushed and clear anodized,two styles of sealed and vent-cover
6	Rear trim	2	Aluminium extrusion,clear anodized
7	Side panel	2	1mm Aluminium sheet, brushed and clear anodized

Standard parts

Horizontal rail



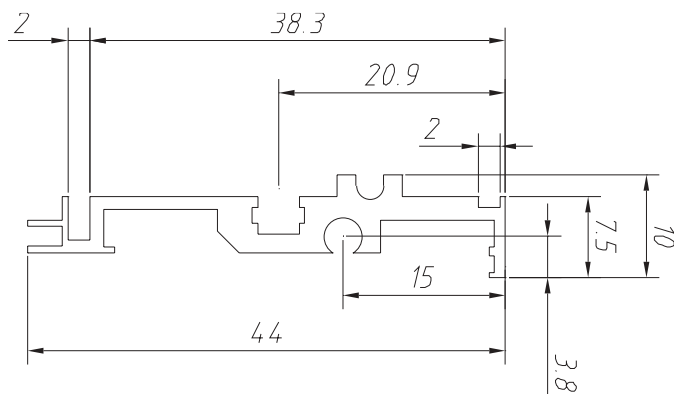
Section of horizontal rail of 01G-2



Section of horizontal rail of 01G-5

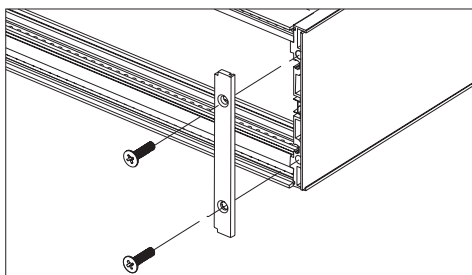
- Material: Aluminum extrusion
- Clear anodized
- With or without pre-punched holes of 5.08mm space for card guide available

Side rail



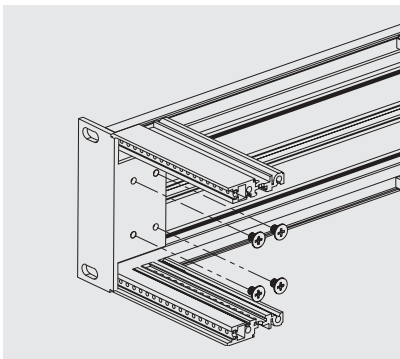
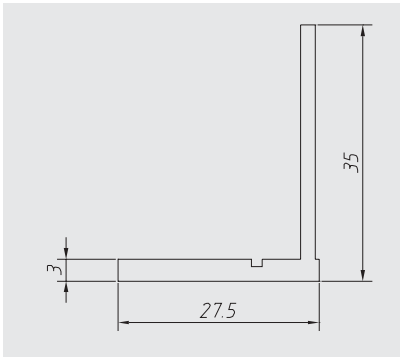
- Material: Aluminum extrusion
- Clear anodized

Rear trim

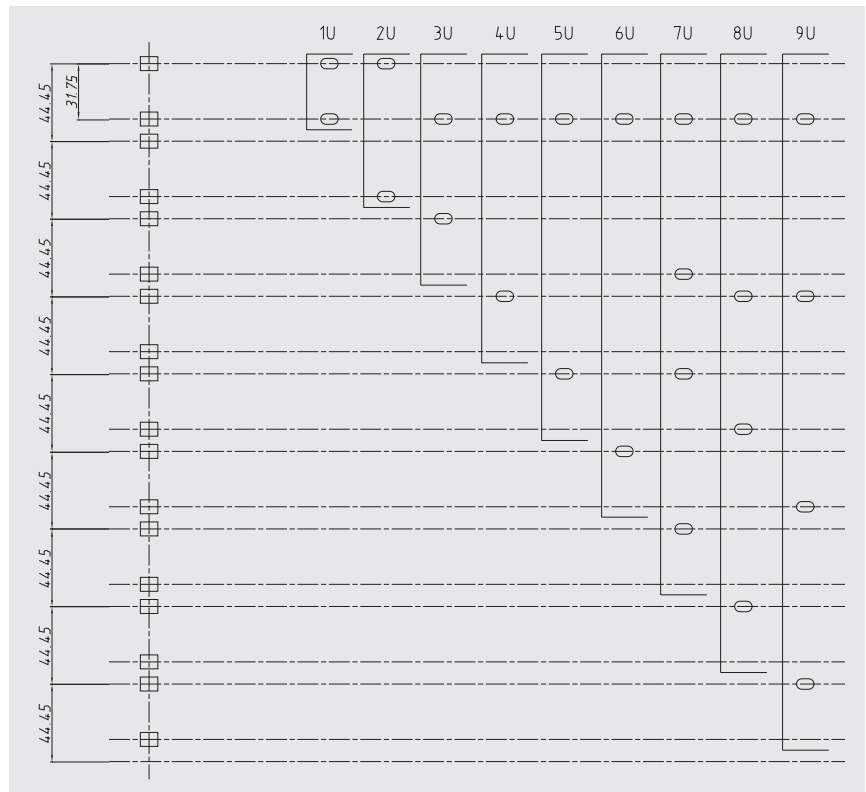


- Material: Aluminum extrusion
- Clear anodized

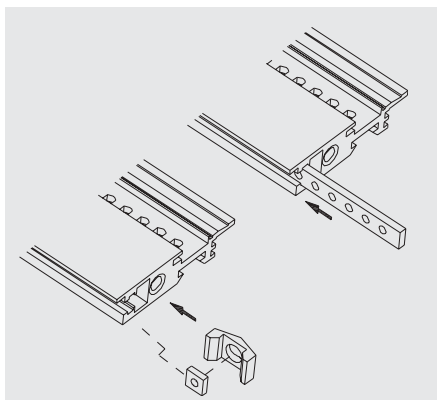
Rackmount trim



- Material: Aluminum extrusion
- Clear anodized

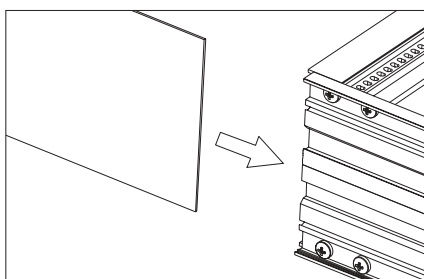


Slide nut / threaded strip



- Material: Stainless steel for threaded strip
- With threaded holes of 5.08mm space for threaded strip
- Slide nuts as standard delivery
- For mounting panels

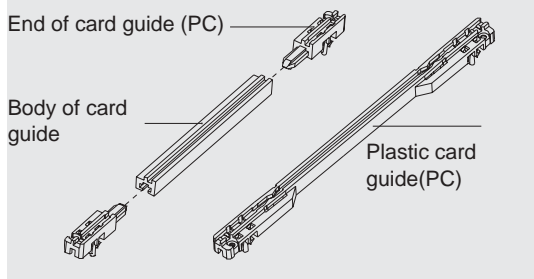
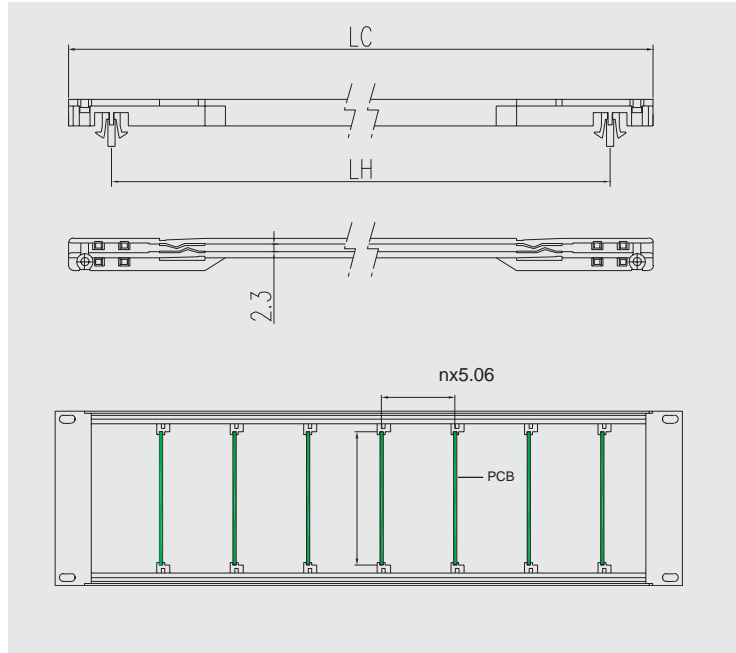
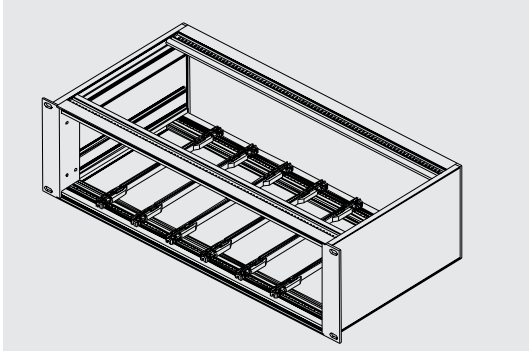
Slide panel



- Material: 1mm aluminum sheet
- Clear anodized and brushed

Optional accessories

Card guide



Length of plastic card guide

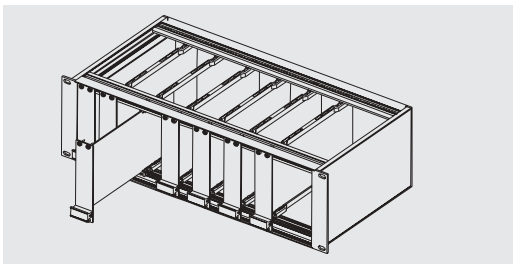
LC(mm)	143	210
LH(mm)	123	183

Height of PCB

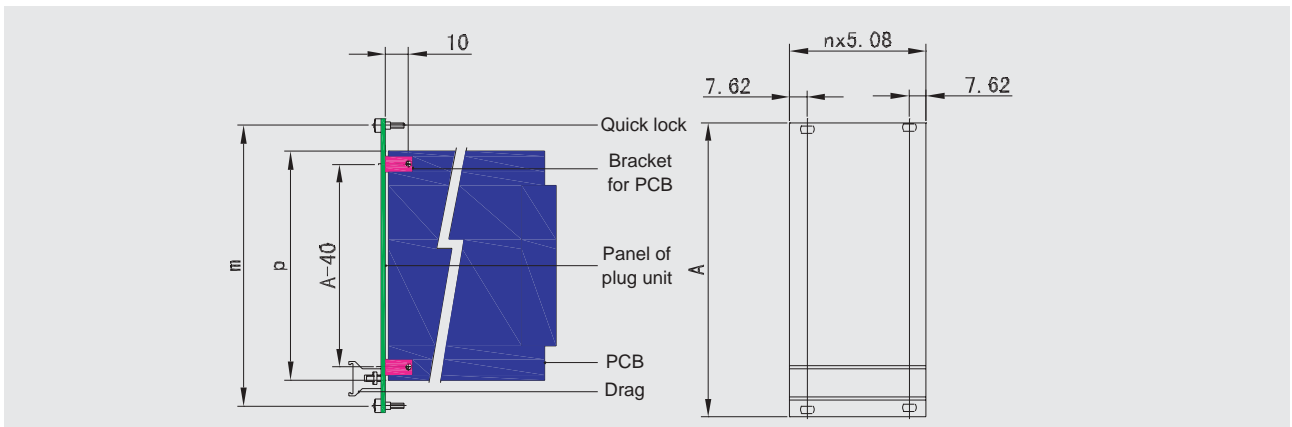
H	2U	3U	4U
P(mm)	56	101	145

- Choice of two styles of card guides (plastic or aluminum extrusion)
- Moulded in PC for plastic card guide
- Optional length for aluminum extrusions card guide
- Suitable for 1.6mm to 2.0mm nominal thickness
- Custom colors available

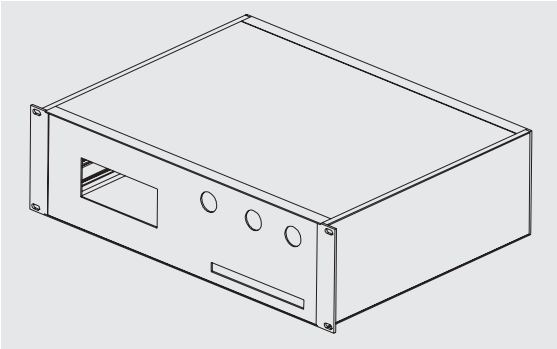
Panel of plug-in unit



- Material :2mm aluminum sheet, clear anodized
- Quick locks screw into the slide nuts plugged in front rail or rear rail
- With "V" drag
- Optional size of panel, also cut-outs in the panel available on request
- The dimensions below, in A-40, show the fixing points for PCB's vertical space

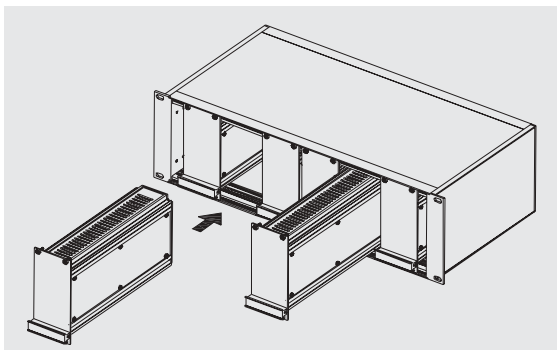


Panel



- Material: Aluminum sheet
- Clear anodized available
- Cut-outs available

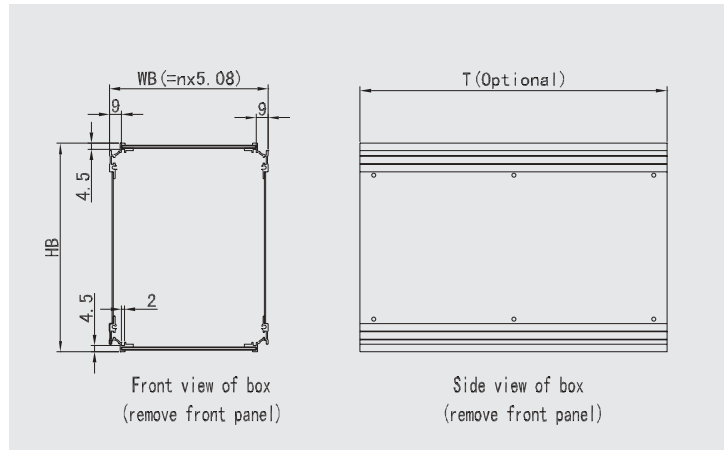
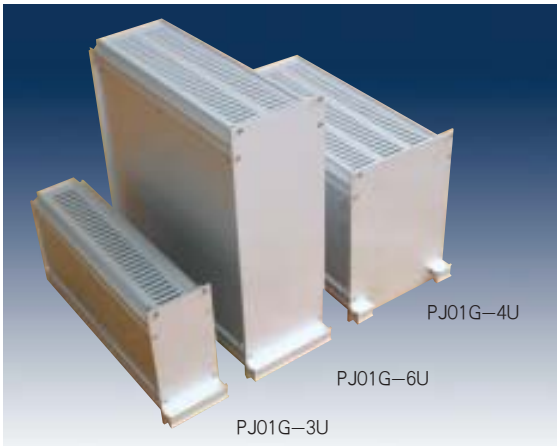
Box of plug-in unit



- Aluminum construction
- Cut-outs in the panel available
- Depth of box is variable upon request
- Anodized finish
- With vent holes in the top and bottom plate

Dimensions chart for box

H	2U	3U	4U	5U	6U
HB(mm)	66	111	155	200	244



How to order

Ordering the enclosures is very simple. You only need to tell us the following:

1. Model of the enclosure
2. Height of the enclosure
3. The depth of your desired enclosure
4. Optional accessories
5. Providing us with the drawing if you require secondary tooling or other cut-outs

Example: Model: 01G-5

Enclosure size: 3U × 19" × 300mm

Accessories: 20 pieces of 140mm plastic card guide



DESKTOP SYSTEM III



01H

000

00000

Available size

Height/Width Chart of 01H

Exterior size		Interior size		Panel size		Panel mounting size	
Overall Height	Overall width	Inside Height	Inside Width	Front panel blank size	Rear panel blank size	Front panel	Rear panel
H	L(mm)	h(mm)	l(mm)/(HP)	B(mm) × A(mm)	D(mm) × C(mm)	m(mm)	n(mm)
100	234	80	218/42	212 × 97	211 × 97	90	90
100	341	80	325/63	319 × 97	318 × 97	90	90
100	448	80	432/84	426 × 97	425 × 97	90	90
110	234	90	218/42	212 × 107	211 × 107	100	100
110	341	90	325/63	319 × 107	318 × 107	100	100
110	448	90	432/84	426 × 107	425 × 107	100	100
120	234	100	218/42	212 × 117	211 × 117	110	110
120	341	100	325/63	319 × 117	318 × 117	110	110
120	448	100	432/84	426 × 117	425 × 117	110	110

Depth Chart of 01H

Overall Depth	T(mm)	180	240	300	320	360
Interior Depth	t(mm)	164	224	284	304	344

Note: 1U=44.45mm, 1HP=5.08mm

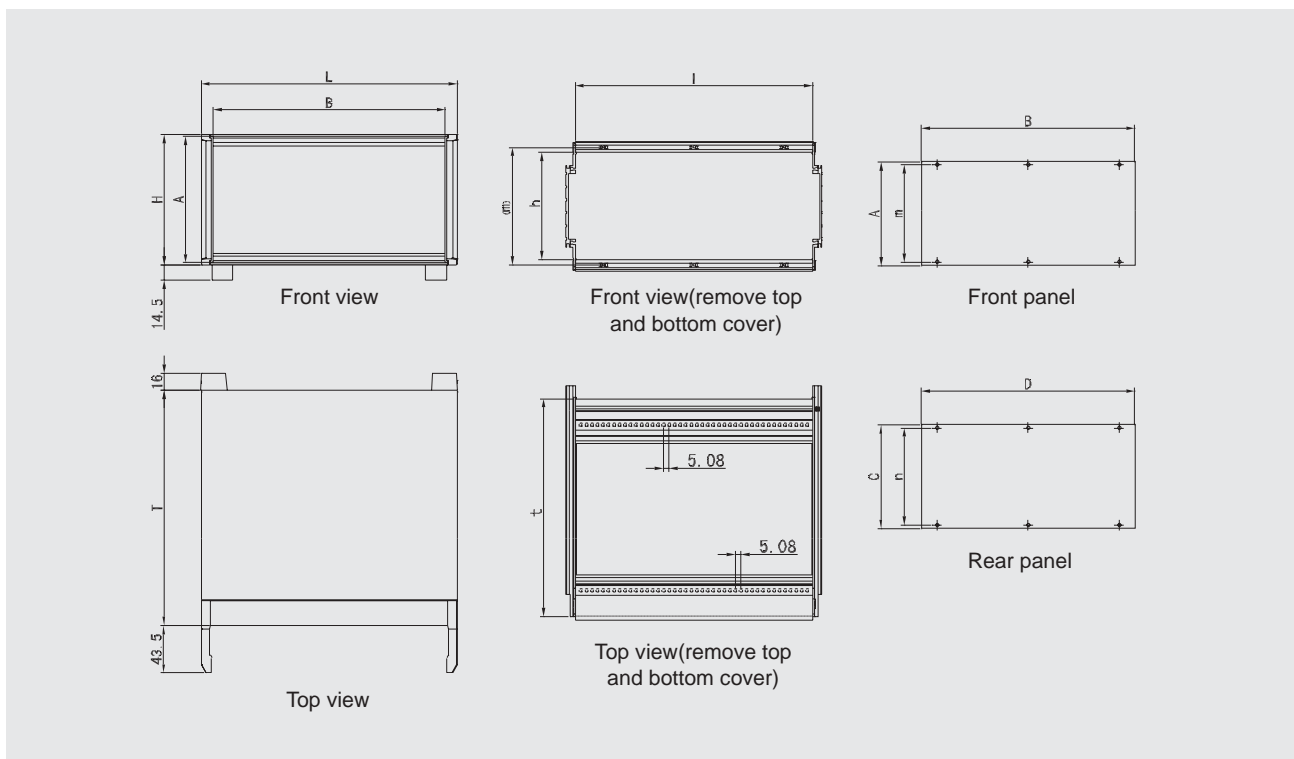
The dimensions shown in the table are only for reference (may exist ± 0.5mm dimensions variation)

Custom overall depth and overall width available upon request

The inside width is the same as the length of the horizontal rail

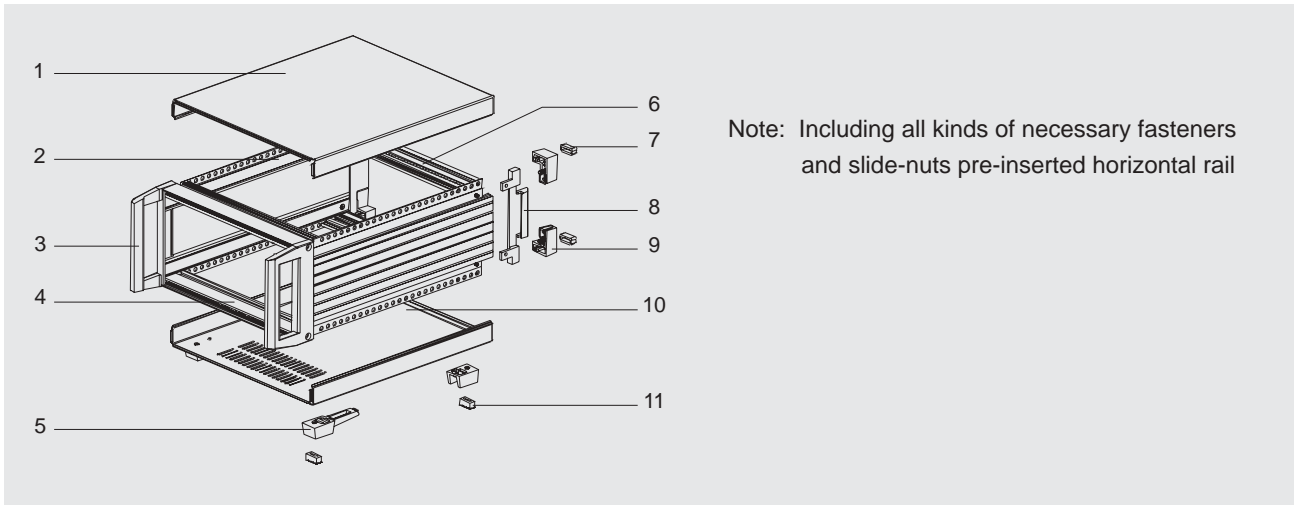
Refer to the following drawing for the definition of enclosure size

Drawing



Standard delivery

For 01H

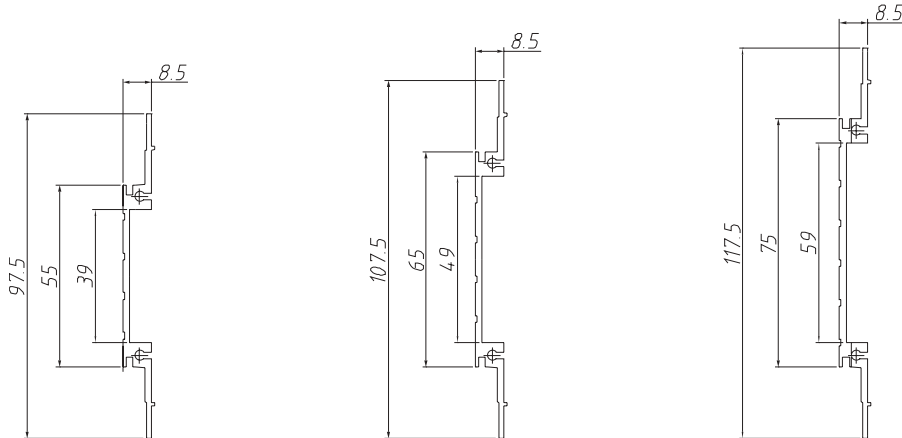


ITEM	PART	QTY	DESCRIPTION
1	Top cover	1	1mm aluminium sheet, spary plastic
2	Side plate	2	Aluminium extrusion, spary plastic, pre-punched holes for addtional horizontal extrusion
3	Handle	2	Die-cast aluminium, spary plastic
4	Front horizontal rail	2	Aluminium extrusion, spary plastic, pre-punched holes for card guide
5	Bottom feet	4	Moulded in PC, with 2 pieces of fold-out support feet
6	Rear horizontal rail	2	Aluminium extrusion, clear anodized, pre-punched holes for card guide
7	Rear anti-slip insert	4	Moulded in rubber-plastic
8	Rear trim	2	Diecast aluminium, spary plastic
9	Rear feet	4	Moulded in PC
10	Bottom cover	1	1mm aluminium sheet, spary plastic, with vent holes for standard delivery
11	Bottom anti-slip insert	4	Moulded in rubber-plastic

Standard parts

Side plate

- Material: Aluminum extrusion
- Spary plastic
- Pre-punched holes of 10mm space for mounting side mounting plate or additional horizontal rail



01 Instrument case system I

Note: Please refer to the details of 01A for the other standard or optional parts

Colors configuration



CFG.	Front frame	Side plate	Covers
1	Mid-gray	Mid-gray	Gray-white
2	Green	Green	Gray-white
3	Blue	Blue	Gray-white
4	Thick-gray	Thick-gray	Gray-white
5	Champagne	Champagne	Gray-white
6	Black	Black	Gray-blue
7	Black	Black	Thick-gray
8	Black	Black	Black

Note:

1. Front frame includes front horizontal rail and handle(or front trim).
2. Top cover, bottom cover and side panel are the same color.
3. You may provide us with the card of your desired color if specifying the non-standard colors.

How to order

Ordering the enclosures is very simple. You only need to tell us the following:

1. Model of the enclosure
2. Height of the enclosure
3. The inside width(in HP) of the enclosure (please specify the overall width(L) for the non-standard size)
4. The depth of your desired enclosure
5. The colors configuration of the enclosure
6. Optional accessories
7. Providing us with the drawing if you require secondary tooling or other cut-outs

Example: Model: 01H

Enclosure size: 110 × 42HP × 300mm

Colors: CFG.3

Accessories: 20 pieces of 210mm plastic card guide



DESKTOP SYSTEM IV



01N



01N-T6

Available size

Height/Width Chart of 01N

Exterior size			Interior size		Panel size		Panel mounting size	
Side plate Height	Overall Height	Overall width	Inside Height	Inside Width	Front panel blank size	Rear panel blank size	Front panel	Rear panel
HS(U)	H(mm)	L(mm)	h(mm)	l(mm)/(HP)	B(mm) × A(mm)	D(mm) × C(mm)	m(mm)	n(mm)
2	112	256	68	218/42	240.5 × 85	215 × 85	78	78
2	112	364	68	325.5/63	347.5 × 85	322.5 × 85	78	78
3	157	256	112	218/42	241.5 × 129	215 × 129	122	122
3	157	364	112	326/63	347.5 × 129	323 × 129	122	122
4	201	364	157	326/63	347.5 × 174	323 × 174	167	167
4	201	469	157	431.5/84	453.5 × 174	428.5 × 174	167	167

Depth Chart of 01N

Overall Depth	T(mm)	180	240	300	320	360
Interior Depth	t(mm)	163	223	283	303	343

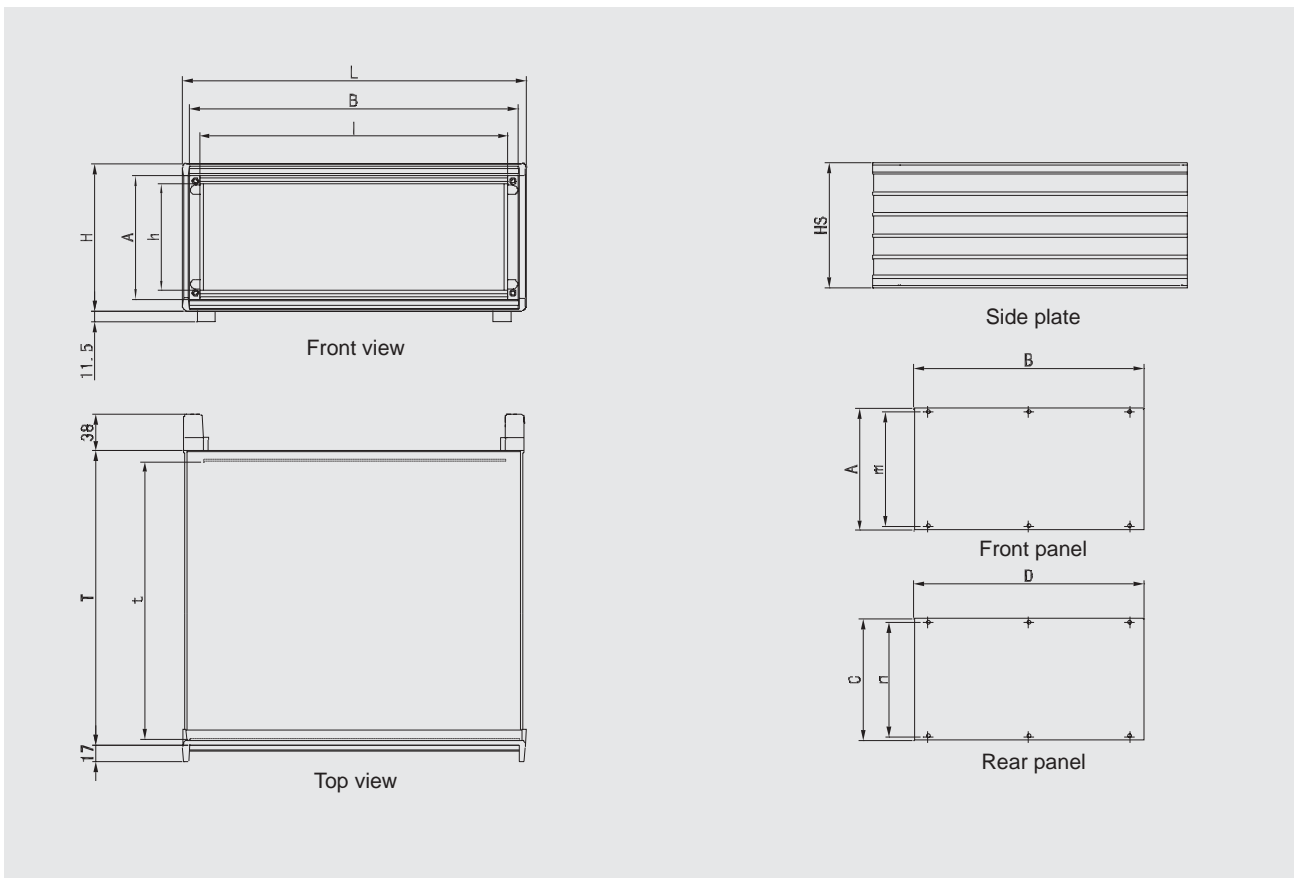
Note: 1U=44.45mm, 1HP=5.08mm

The dimensions shown in the table are only for reference (may exist ± 0.5mm dimensions variation)

Custom overall depth available upon request

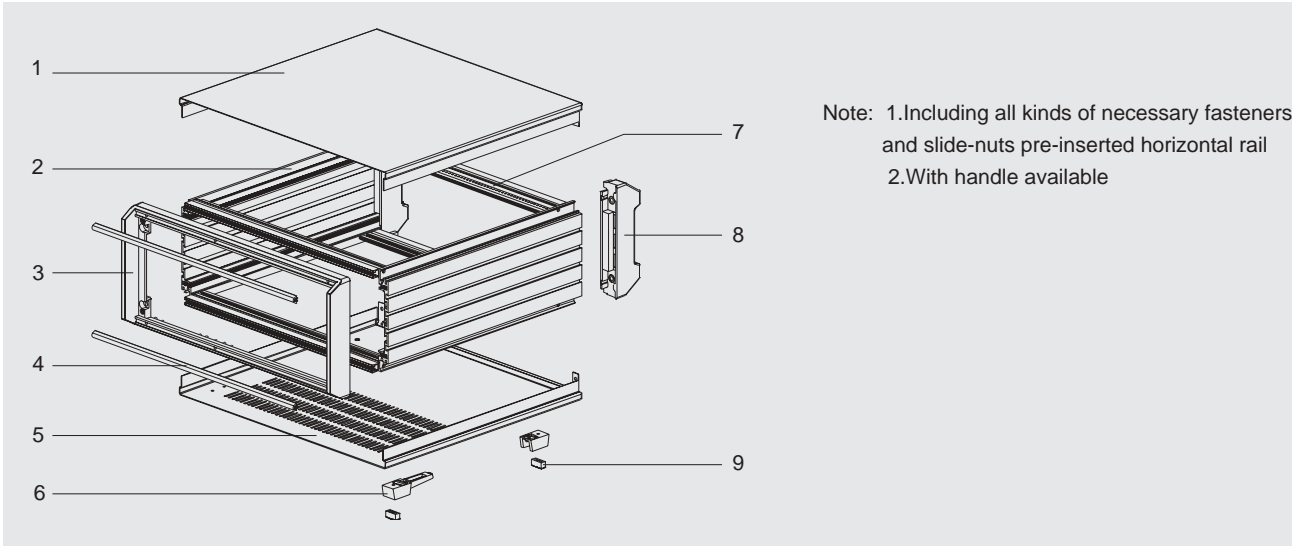
The inside width is the same as the length of the horizontal rail

Drawing



Standard delivery

For 01N



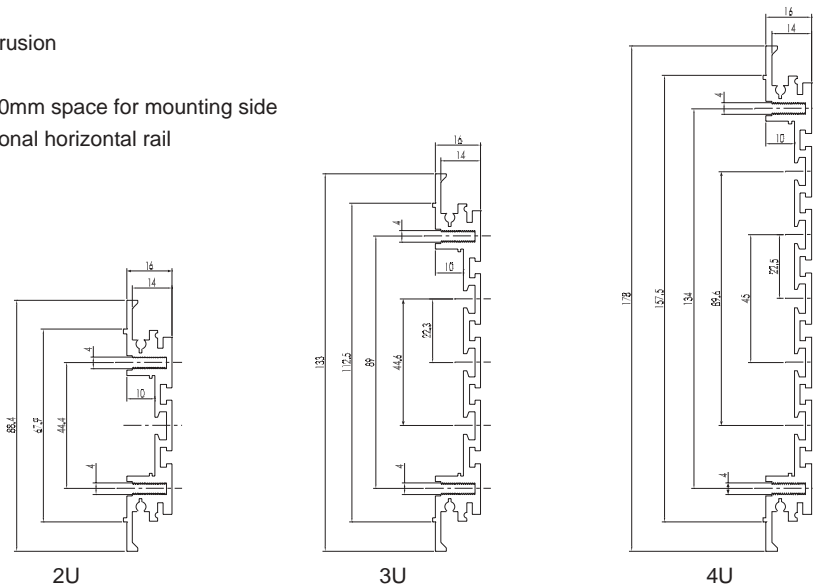
Note: 1.Including all kinds of necessary fasteners and slide-nuts pre-inserted horizontal rail
2.With handle available

ITEM	PART	QTY	DESCRIPTION
1	Top cover	1	1.2mm aluminium sheet,spary plastic
2	Side plate	2	Aluminium extrusion,spary plastic
3	Frame	1	Die-cast aluminium,spary plastic
4	Decorative bar	2	Aluminium extrusion,spary plastic
5	Bottom cover	1	1.2mm aluminium sheet,spary plastic,with two arrays of vent holes
6	Bottom feet	4	Moulded in PC,with 2 pieces of fold-out support feet
7	Horizontal rail	4	Aluminium extrusion,clear anodized,pre-punched holes for card guide
8	Rear feet	2	Moulded in rubber-plastic
9	Anti-slip insert	4	Moulded in rubber-plastic

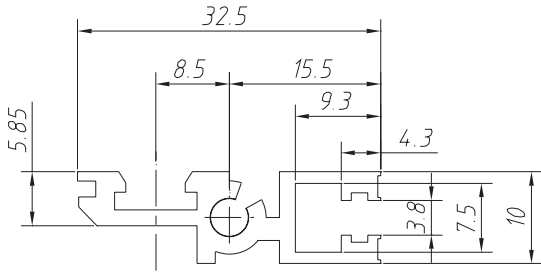
Standard parts

Side plate

- Material: Aluminum extrusion
- Clear anodized
- Pre-punched holes of 10mm space for mounting side mounting plate or additional horizontal rail



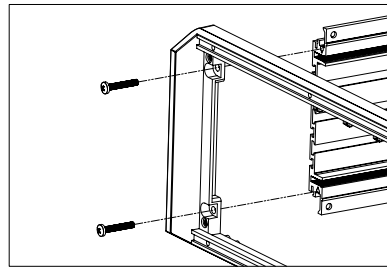
Horizontal rail



- Material: Aluminum extrusion
- Spary plastic
- Pre-punched holes of 5.08mm space for card guide

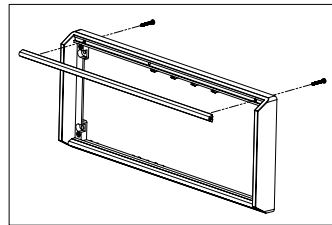
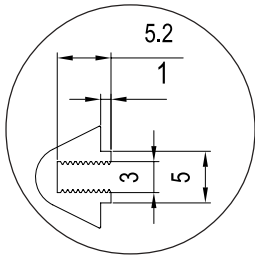
Length table			
HP	42	63	84
Length(mm)	218	325	432

Frame



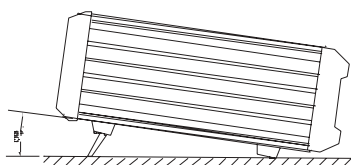
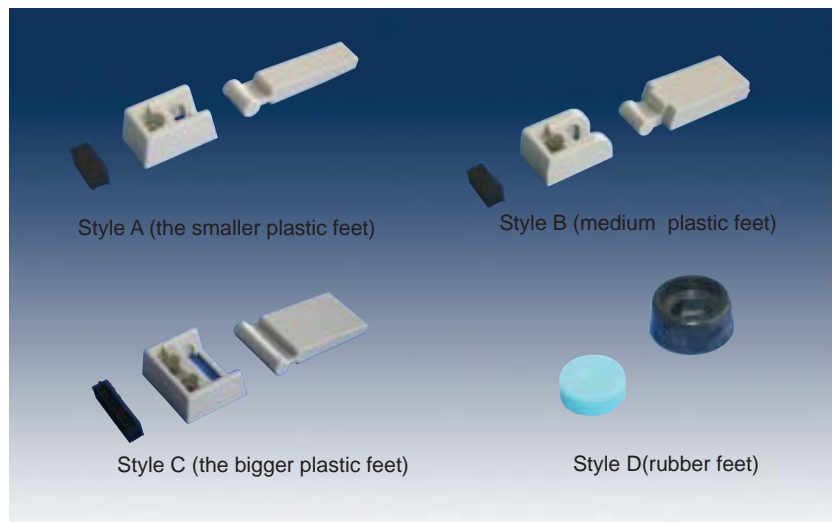
- Material: Die-cast aluminum
- Spary plastic

Decorative bar



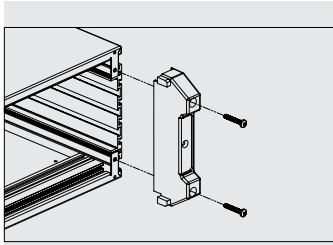
- Material: Aluminum extrusion
- Spary plastic

Bottom feet



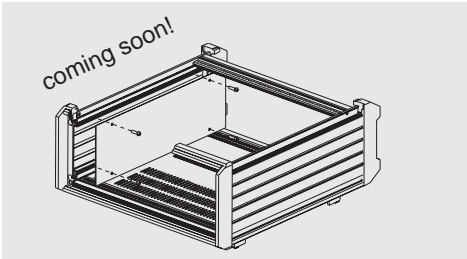
- Material: PC / ABS
- Choices of four style
- Style A as standard version

Rear feet



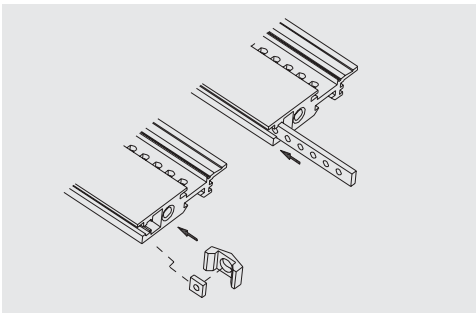
- Moulded in rubber-plastic

Side mounting plate



- Material: 1mm Aluminum sheet

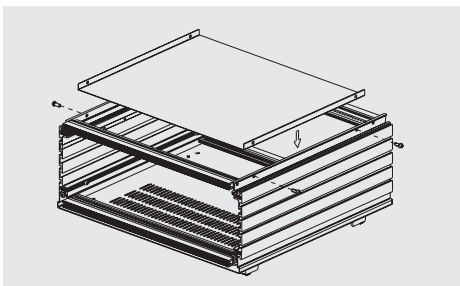
Slide nut / threaded strip



- Material: Stainless steel
- With threaded holes of 5.08mm space
- Replacement of slide nuts as standard version
- For mounting panels

Optional accessories

Bottom mounting plate



- Material: 1.5mm or 2mm Aluminum sheet
- Choice of two styles (style A and style B)
- Fixing onto front rail and rear rail for style A
- Fixing onto two side plates for style B

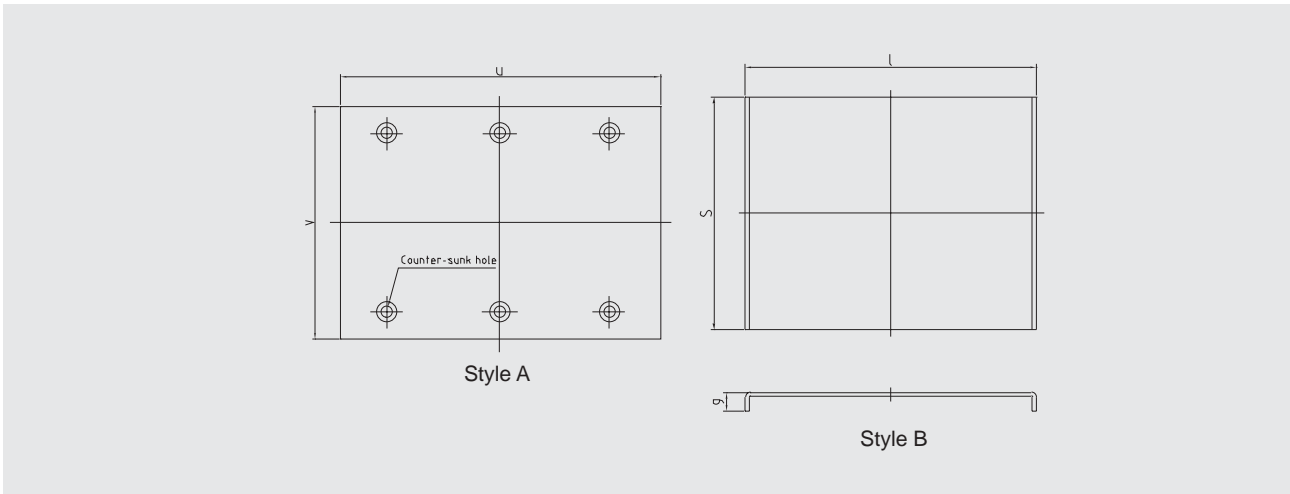
Dimensions chart

Chart 1 (For style A) u(mm) × v(mm)

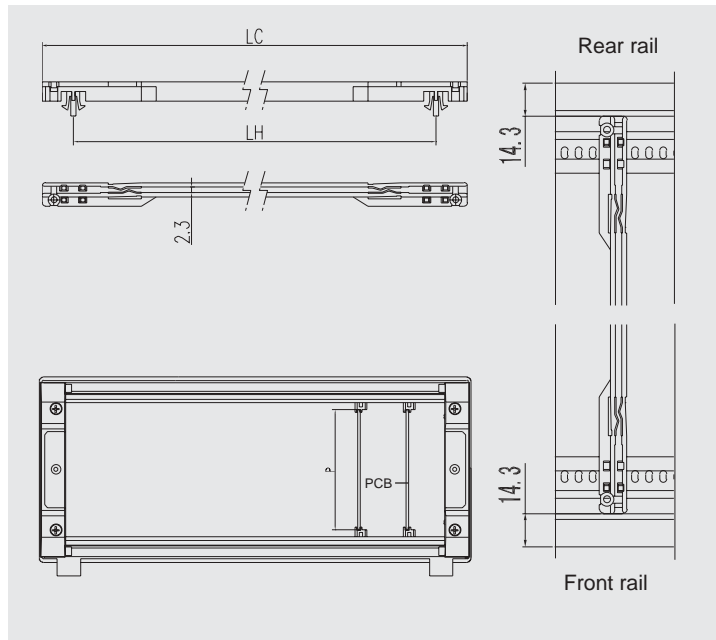
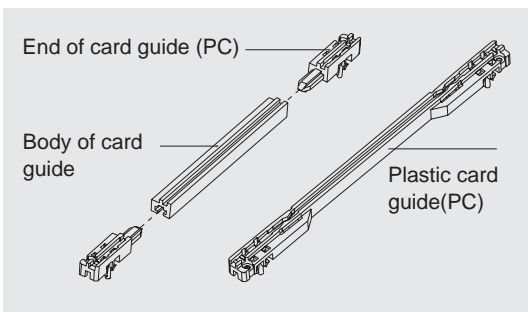
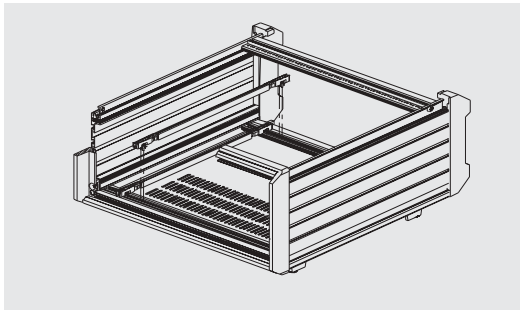
Width T	42HP	63HP	84HP
180mm	214 × 168	321 × 168	428 × 168
240mm	214 × 228	321 × 228	428 × 228
300mm	214 × 288	321 × 288	428 × 288
320mm	214 × 308	321 × 308	428 × 308
360mm	214 × 348	321 × 348	428 × 348

Chart 2 (For style B) l(mm) × s(mm)

Width T	42HP	63HP	84HP
180mm	218 × 95.5	325 × 95.5	432 × 95.5
240mm	218 × 155.5	325 × 155.5	432 × 155.5
300mm	218 × 215.5	325 × 215.5	432 × 215.5
320mm	218 × 255.5	325 × 255.5	432 × 255.5
360mm	218 × 295.5	325 × 295.5	432 × 295.5



Card guide

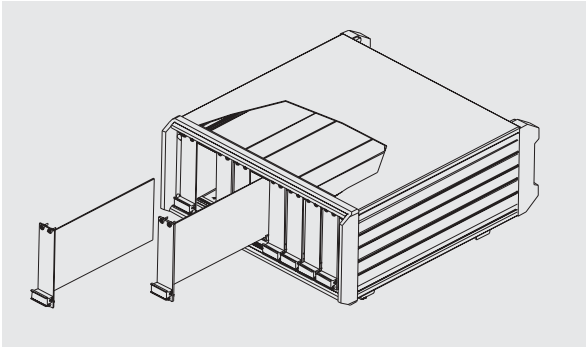


Length of plastic card guide			
LC(mm)	143	210	
LH(mm)	123	183	

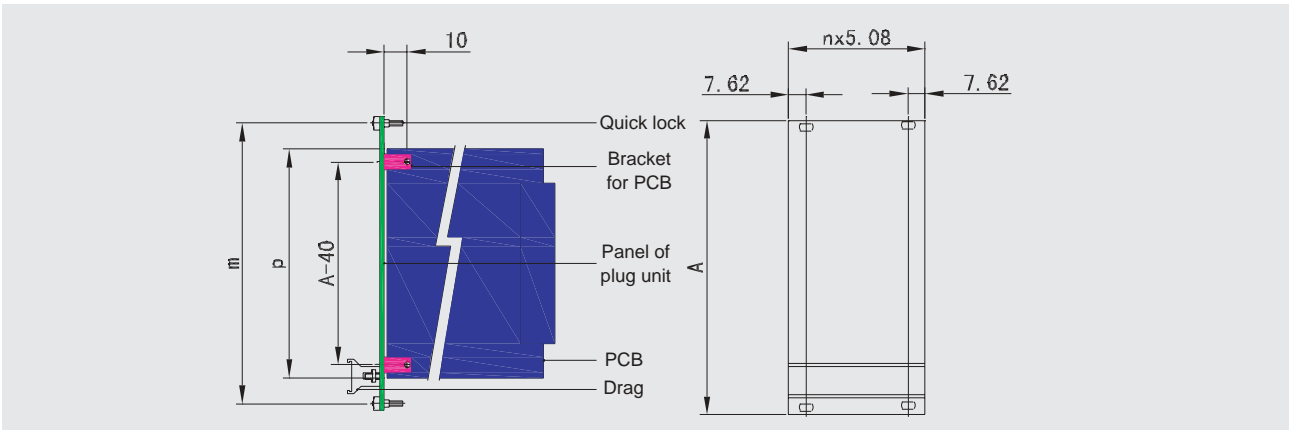
Height of PCB			
H	2U	3U	4U
P(mm)	56	100	145

- Choice of two styles of card guides (plastic or aluminum extrusion)
- Moulded in PC for plastic card guide
- Optional length for aluminum extrusions card guide
- Suitable for 1.6mm to 2.0mm nominal thickness
- Custom colors available

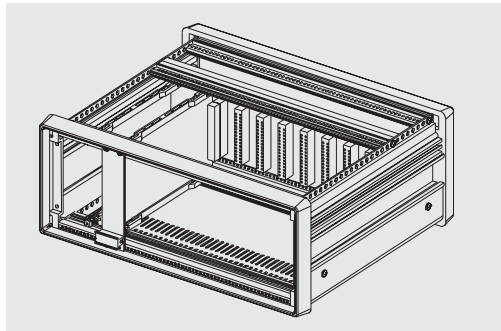
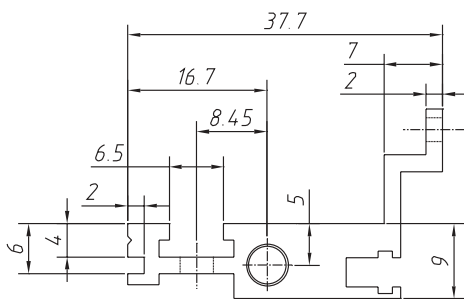
Panel of plug-in unit



- Material :2mm aluminum sheet, clear anodized
- Quick locks screw into the slide nuts plugged in front rail or rear rail
- With "V" drag
- Optional size of panel, also cut-outs in the panel available



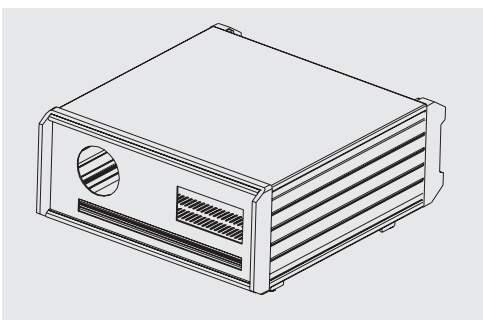
Mid-extrusion



Length table			
HP	42	63	84
Length(mm)	218	325	432

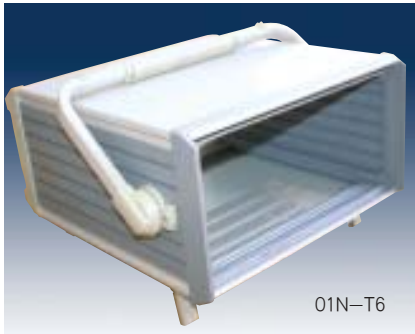
- Material: Aluminum extrusion
- Clear anodize
- With or without pre-punched holes for card guide available
- Suitable for installation of backplanes

Front / rear panel

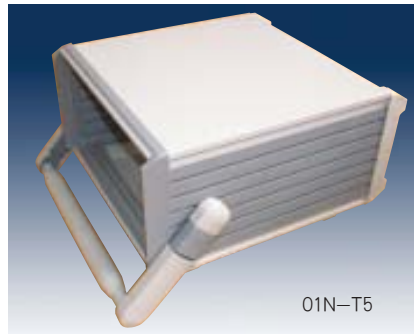


- Material: 2mm Aluminum sheet
- Clear anodized available
- Cut-outs in the front and rear panel available

Handle



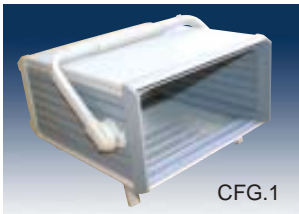
01N-T6



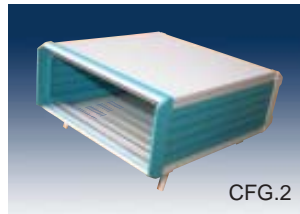
01N-T5

- Choice of four models of handle
- Can be revolved about the axis every other 30 degrees
- Bearing capability of 30kg
- T6 as the standard version

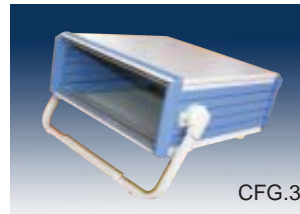
Colors configuration



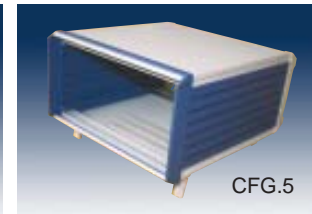
CFG.1



CFG.2



CFG.3



CFG.5

CFG.	Front frame	Decorative bar	Side plate	Covers
1	Mid-gray	Gray-white	Mid-gray	Gray-white
2	Green	Gray-white	Green	Gray-white
3	Blue	Gray-white	Blue	Gray-white
4	Thick-gray	Gray-white	Thick-gray	Gray-white
5	Gray-blue	Gray-white	Gray-blue	Gray-white
6	Champagne	Gray-white	Champagne	Gray-blue
7	Black	Gray-blue	Gray-blue	Gray-blue
8	Black	Green	Thick-gray	Thick-gray

Note:

1. You may provide us with the card of your desired color if specifying the non-standard colors.
2. For rear feet, mid-gray, green, blue and black available only.

How to order

Ordering the enclosures is very simple. You only need to tell us the following:

1. Model of the enclosure
2. Height of the side plate of the enclosure
3. The inside width of horizontal rail of the enclosure
4. The depth of your desired enclosure
5. Model of the handle for the enclosure (if you need)
6. The colors configuration of the enclosure
7. Optional accessories
8. Providing us with the drawing if you require secondary tooling or other cut-outs

Example: Model: 01N

Enclosure size: 3U × 42HP × 300mm

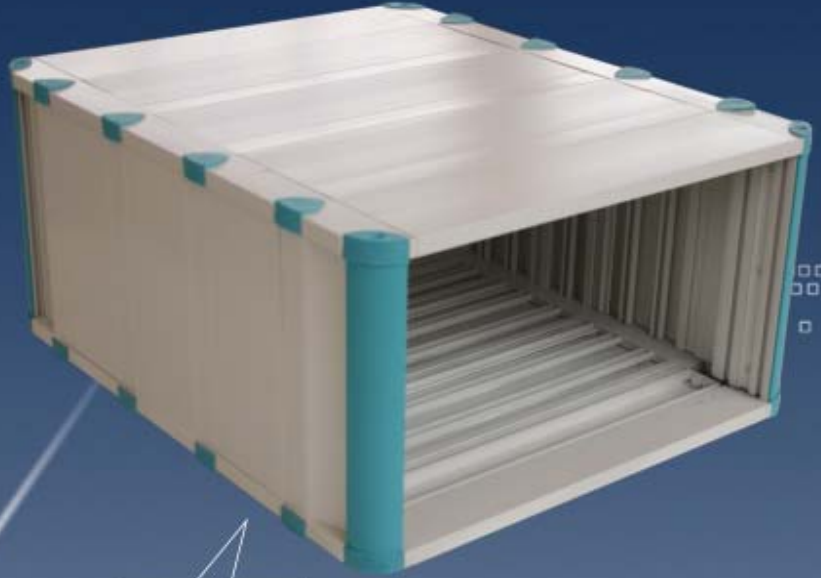
Handle: T1

Colors: CFG.3

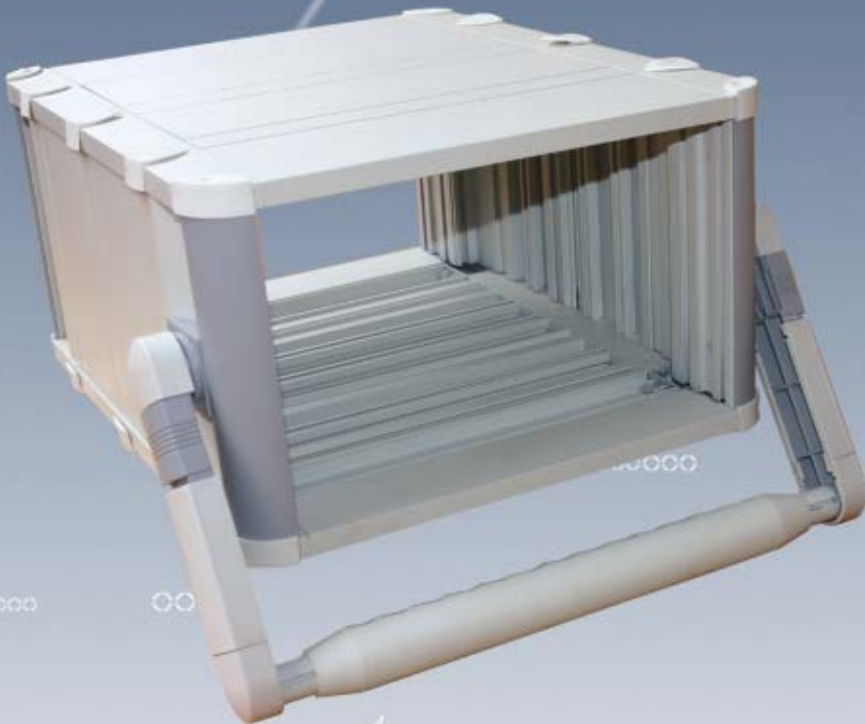
Accessories: 20 pieces of 210mm plastic card guide



DESKTOP SYSTEM V



01S



01S-T5

Available size

Height/Width Chart of 01S

Exterior size		Interior size		Panel size
Overall height	Overall width	Inside height	Inside width	Front / rear panel blank size
H	L	h	l	B × A
2U	238	62	163	172.5 × 61.5
2U	345	62	272	279.5 × 61.5
2U	452	62	379	386.5 × 61.5
3U	238	107	163	172.5 × 106.5
3U	345	107	272	279.5 × 106.5
3U	452	107	379	386.5 × 106.5
4U	238	151	163	172.5 × 150.5
4U	345	151	272	279.5 × 150.5
4U	452	151	379	386.5 × 150.5

Note: Overall Depth T= 300+29m+120n

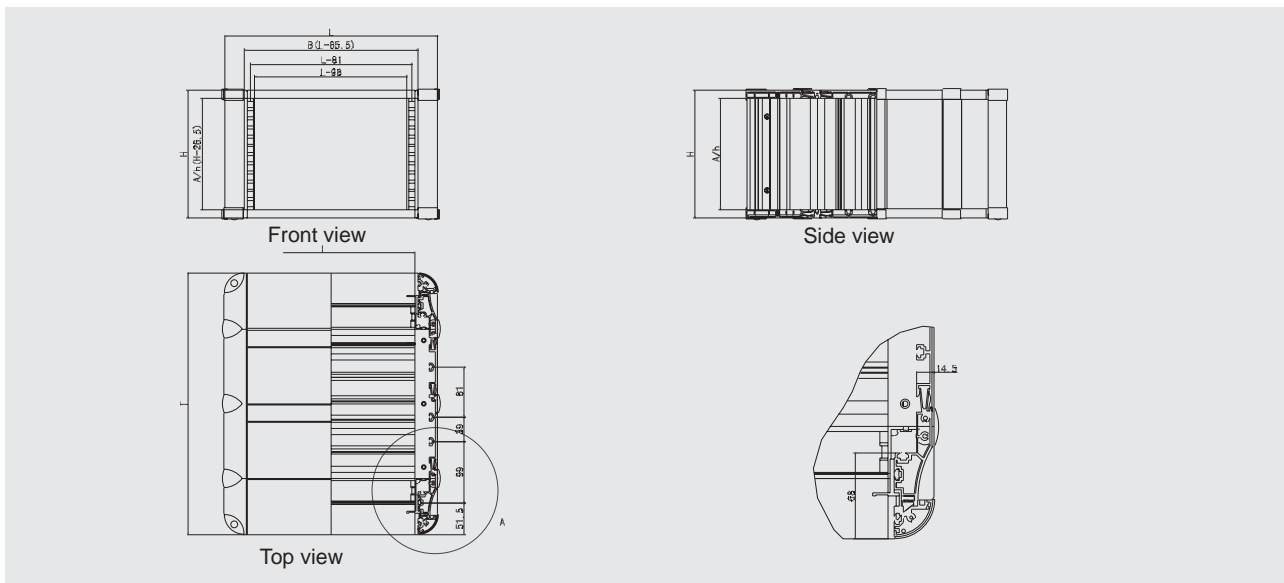
The dimensions shown in the table are only for reference (may exist ± 0.5mm dimensions variation)

Custom overall height and overall width available upon request

The front panel and the rear panel are interchangeable

Refer to the following drawing for the definition of enclosure size

Drawing



Standard delivery

For 01S

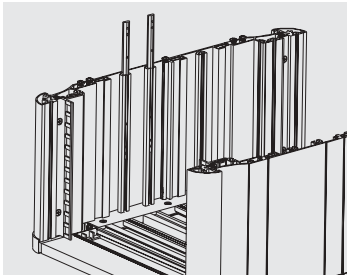


01 Instrument case system I

ITEM	PART	QTY	DESCRIPTION
1	Top cover assembly	1	Aluminium extrusions construction
2	Bottom coner feet	4	Moulded in rubber plastic
3	Top coner feet	2	Moulded in rubber plastic
4	Top feet	1	Moulded in rubber plastic
5	Side plate assembly	2	Aluminium extrusions construction
6	Bottom feet	4	Moulded in rubber plastic

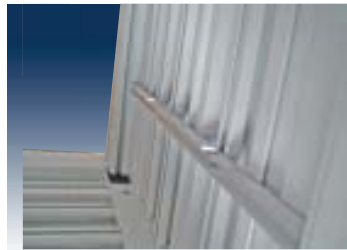
Optional accessories

Side threaded strip



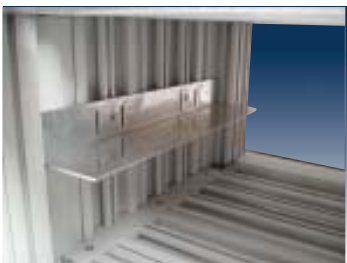
- Material: Aluminum extrusion
- Clear anodized
- Suitable for installation of side
- P.C.B.

Mounting rail



- Material: Aluminum extrusion
- Clear anodized
- Suitable for static or pull-out installation of P.C.B.

Side rack



- Material: 1.5mm steel sheet
- To support heavier equipment

Mounting angle



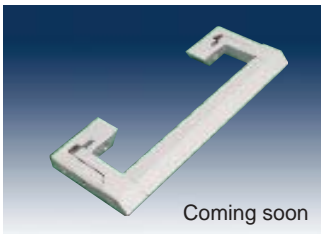
- Material: Aluminium extrusion
- Clear anodized
- For installation of panels

Captive nut



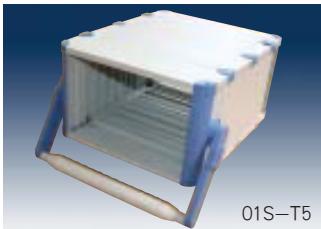
- For fastening panel or subrack enclosure

Horizontal handle



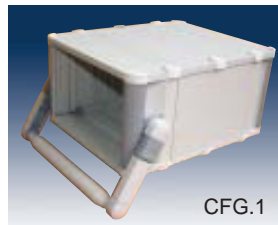
- Material: Die-cast aluminum and extruded aluminum
- For convenience of transportation

Carrying handle

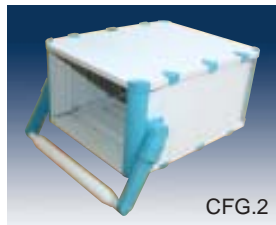


- Can be adjusted in 30 degree increments
- For portable use as well as supporting the enclosure

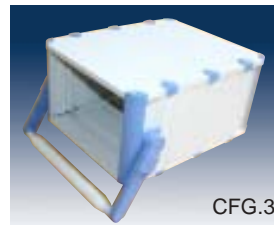
Colors configuration



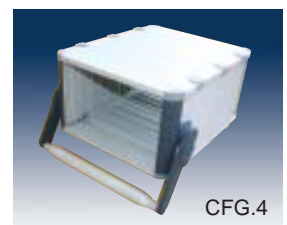
CFG.1



CFG.2



CFG.3



CFG.4

CFG.	Feet	Door bar	Carrying handle	Covers	Side plate
1	Mid-gray	Mid-gray	Mid-gray	Gray-white	Gray-white
2	Green	Green	Green	Gray-white	Gray-white
3	Blue	Blue	Blue	Gray-white	Gray-white
4	Thick-gray	Thick-gray	Thick-gray	Gray-white	Gray-white
5	Champagne	Champagne	Champagne	Gray-white	Gray-white

Note: 1. You may provide us with the card of your desired color if specifying the non-standard colors.

How to order

Ordering the enclosures is very simple. You only need to tell us the following:

1. Model of the enclosure
2. H, L and T
3. The colors configuration of the enclosure
4. Optional accessories

Example: Model: 01S